

# Dunbrik flues

Sample 200mm I.D. flue liner system for open fire with offset.

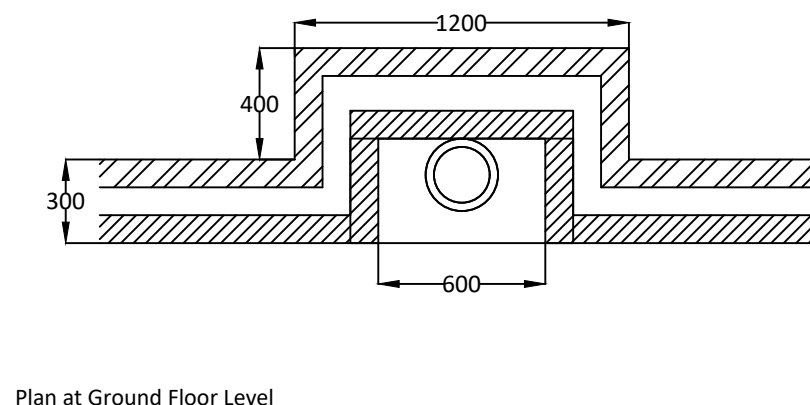
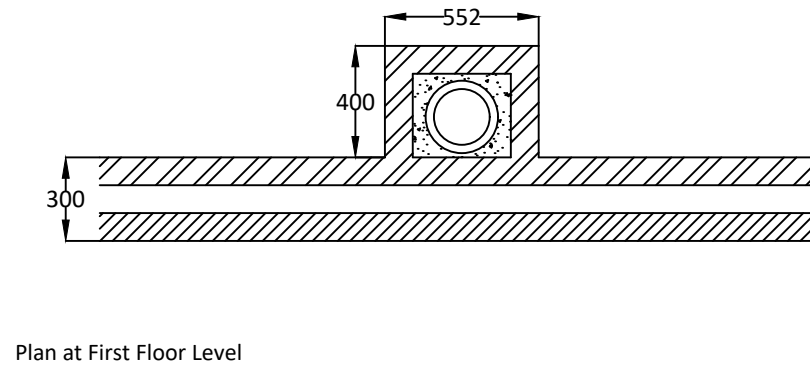
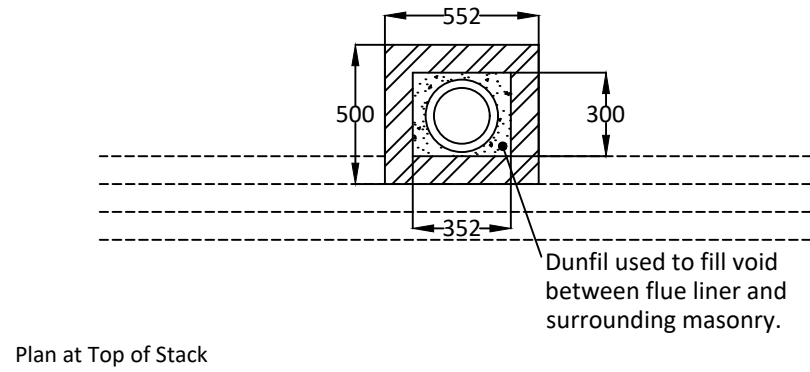
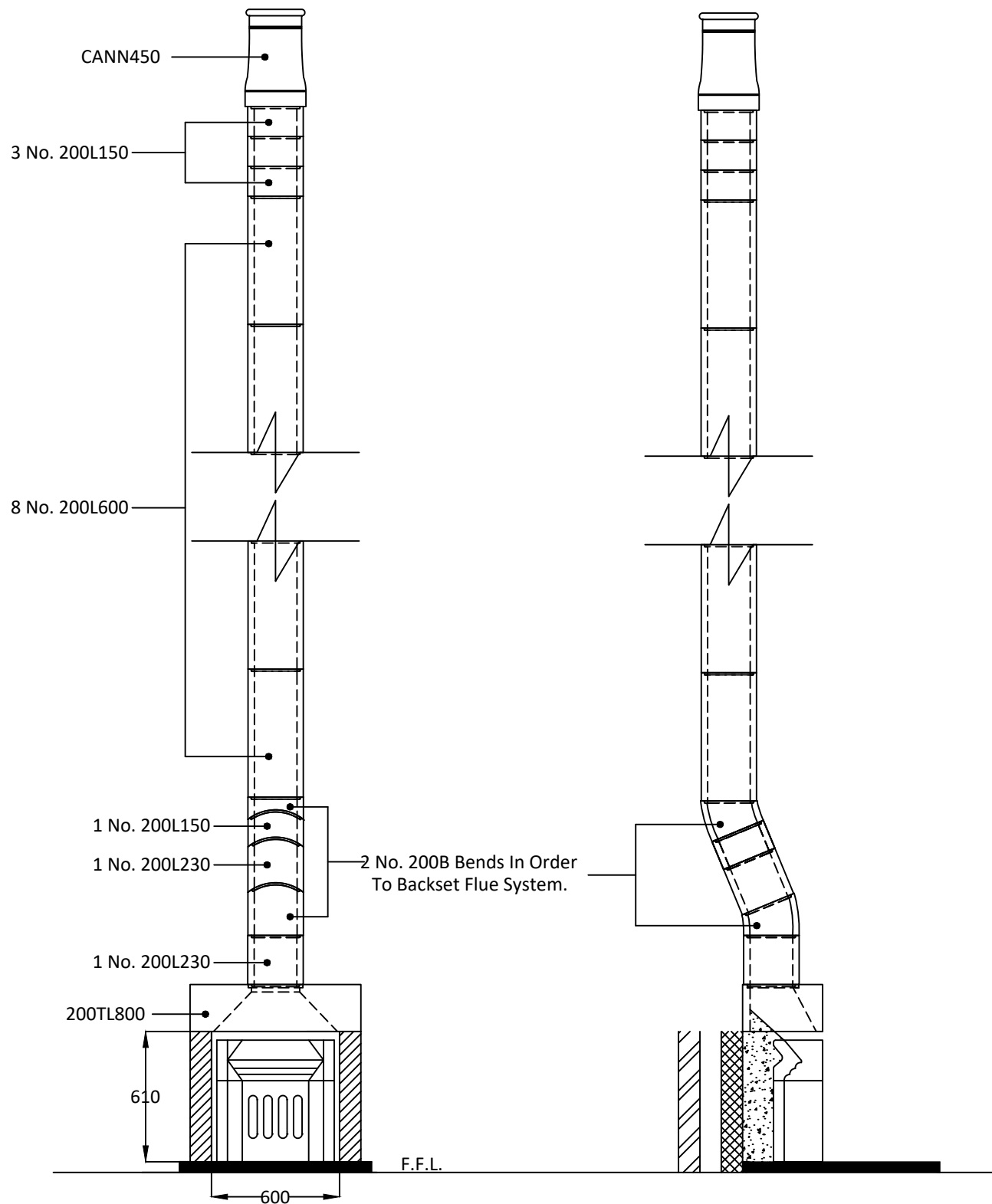
Date: August 2020

Telephone: 01924 373694 Email: tech@dunbrik.co.uk Web: www.dunbrik.co.uk

Ref: **DUN-02-7M**

## Notes

Chimney Height of 7013mm from FFL to underside of chimney pot.



Dunbrik A1 Concrete Flue Liner System to BS EN 1857

Please have your architect check this estimate to your drawings to ensure it meets both your requirements and current building regulations, british standards and codes of practice.

**ALL DIMENSIONS ARE SHOWN IN MILLIMETRES NOT TO SCALE**

Costing for: **SAMPLE COSTING**  
200mm I.D. Flue for open fire with offset.  
Chimney height 7013mm from ffl to u/s pot, Offset 200mm.

Costing ref **DUN-02-7M**  
Date 01 August 2020  
By SJ  
Price list July 2019

Components	Product code	Qty	Prices each	Cost £
Throat lintel/gather unit 800mm wide	200TL800	1	90.24	90.24
200mm flue liner bend 22.5 degrees	200B	2	17.42	34.84
200mm flue liner 600mm tall	200L600	8	17.85	142.80
200mm flue liner 230mm tall	200L230	2	10.68	21.36
200mm flue liner 150mm tall	200L150	4	8.43	33.72
Flue liner sealant 310ml	Dunseal	6	6.36	38.16
Infill aggregate 22kg mix for void	Dunfil	24	13.26	318.24
Milner clay fireback 450mm	450FB	1	99.47	99.47
Cannon pot 450mm tall red	Cann450R	1	48.48	48.48
Topguard birdguard cowl 260 tall red	TG260R	1	96.53	96.53
Smoke pellet tube	Smoke	1	10.80	10.80
Flue notice plate	Plate	1	7.36	7.36
Red polypropylene air brick 220mm x 72mm	REDG930	3	0.88	2.64
High impact styrene black cavity sleeve 218mm x 72mm	CSG935	3	4.79	14.37

Cost ex-works *	<b>959.01</b>
Delivery charge	<b>95.00</b>
Goods	<b>£ 1,054.01</b>
VAT @ 20%	<b>210.80</b>
<b>Total</b>	<b>£ 1,264.81</b>

For UK mainland up to 300 miles, orders over £1,700 goods value are delivered free  
Charge for individually plotting multiple flue orders is £30 per flue.  
\* For collection orders add collection charge of £15 plus VAT

Prices shown are based on the Dunbrik ex-works trade price list of July 2019 and are valid for 30 days.  
Prices are subject to VAT. All trading is subject to our standard conditions of sale (copy available).

**Notes**

This flue costing is based on information provided. Please have your architect check the costing to your drawings prior to ordering to ensure that it meets with your requirements. Please also check the pot/terminal style and colour.  
For construction guidance refer to the flue illustration and the installation guide available by post, fax or website.

Please ensure that the flue and chimney are constructed in accordance with Building regulations part J

H\Y\W\W\l\g\h\g\U\g\Y\X\c\6\i\]X\l\ F\Y\i\ U\h\c\g\5\8>\5\dd\Y\B\X\l\ '5\k\]h\8\i\B\V\l\ Z\i\Y\]b\Y\g\g\h\Y\ X\l\U\H\Y\V\i\]X\Y\#\b\g\U\Y\F\ 'g\c\i\ X\]b\g\Y\h\X\Y\U\]g\c\Z\h\Y\U\M\i\U\ Z\Y\Y\U\W\c\Y\B\l\]b\ 'g\h\Y\g\Z\U\M\i\U\j\ Y\B\]U\h\c\B\]b\g\U\Y\X\U\B\U\B\j\ U\]U\h\c\B\g\l\c\h\Y\i\g\i\U\X\l\U\'

: cf G\]Y\U\h G\ng\]Y\A 8\U\Y	<b>SAMPLE COSTING</b>  <b>Dunbrik 200mm id A1 concrete flue liners</b> <b>01 Aug 2020</b>	7\c\g\]b\] \f\Y\Z D\c\h\B\i\ a\ V\Y\F < c\i\ g\Y\h\m\Y 7\i\g\l\c\ a\ Y\F\Y\Z	<b>DUN-02-7M</b>  <b>200mm I.D. Flue for open fire with offset.</b>
--	--	---	---

**Checklist for hearths, fireplaces, flues and chimneys**

H\g\W\Y\W\l\g\h\W\B\ \Y\d\no\i\ l\c\ Y\B\g\i\ f\Y\ \Y\U\h\g\Z\Y\Y\U\W\g\Z\i\ Y\g\U\B\X\W\]a\ b\Y\ng\U\Y\g\U\g\Z\U\M\i\f\i\Z\m\i\ \U\j\ Y\V\Y\B\X\]f\Y\W\i\m\Y\B\] U\] Y\X\Z\ 'W\dd\]Y\g\g\c\i\ X\U\g\c\ V\Y\c\Z\Z\Y\X\l\c\h\Y\W\Y\B\h\U\B\X\l\c\h\Y\6\i\]X\l\B\] '7\c\B\l\c\ 'V\c\X\m\l\c\ g\Y\c\k\k\ \U\h\m\i\ \U\j\ Y\X\c\B\Y\l\c\ W\ a\ d\m\k\]h\ ' 'h\Y\Y\Y\e\i\]f\Y\ a\ Y\B\l\g\c\Z\d\U\h\i\>\Z\m\i\ \U\Y\U\g\i\ V\W\B\h\U\M\i\f\Z\U\W\d\m\g\c\i\ X\W\c\Z\Z\Y\X\l\c\h\Y\ a\ U\]b\W\B\h\U\M\i\f\'

<b>Items listed in ADJ Appendix A</b>	<b>Details for builder to complete or amend</b>
---------------------------------------	---

1	6\i\]X\l\B\] \U\X\Y\g\g\Z\k\ \Y\Y\k\c\f\ \U\g\Y\Y\B\W\]f\Y\X\c\i\ h\i	
---	---	--

		5\ a\ Y\B\X
--	--	-------------

2	→X\Y\B\]Z\W\]h\c\B\c\Z\A\Y\U\h\z\Z\Y\Y\U\W\Z\W\]a\ b\Y\m\c\f\Z\i\Y\'	<b>Fireplace in lounge</b>
---	--	----------------------------

3	: ]f\]b\ 'W\dd\U\]l\m\g\c\]X\Z\Y\#\U\g\#\]#U\'	<b>All</b>
---	--	------------

4	→h\Y\B\X\X\h\m\Y\c\Z\l\dd\]U\B\W\ "G\H\Y\h\m\Y\c\f\ a\ U\Y\ "Z\c\d\Y\ Z\Y\]j\ Y\Z\]b\]Y\X\Z\Y\Y\U\W\c\Y\B\l\] 'X\]a\ Y\B\l\c\B\g\''	<b>For gas fire or solid fuel fire</b> <b>500mm by 550mm maximum</b> <b>or equivalent area</b>
---	---	--

5	J\Y\B\]U\h\c\B\ d\fc\]g\l\c\B\g\Z\f\h\Y\U\dd\]U\B\W\ G\H\Y\h\m\Y\U\B\X\U\Y\U\c\Z\d\Y\fa\ U\B\Y\B\h\m\c\d\Y\B\U\]f\j\ Y\B\l\g\	<b>Through wall ventilation</b> <b>15,700 sq mm minimum</b>
---	---	--

6	7\ \]a\ b\Y\m\c\f\Z\i\Y\W\B\g\]f\i\ W\]c\B\ U\ G\H\Y\h\Y\h\m\Y\c\f\ a\ U\Y\U\B\X\k\ \Y\h\Y\B\Y\k\ 'c\f\Y\]g\]b\] " V\ →h\Y\B\U\Z\i\ Y\g\h\Y\B\X\Y\e\i\]j\ U\Y\B\h\Z\i\Y\ \Y\] \h\k\ \Y\Y\ W\W\U\h\X\B\U\h\i\ f\U\X\U\i\ [ \h\] U\g\U\dd\]U\B\W\g\c\B\h\i\ W\Z\]b\Y\g\U\Y\i\ g\Y\X\W\B\Z\]f\ h\Y\m\U\Y\W\]f\Y\W\i\m\i\c\]b\h\X\ ]b\U\W\]f\X\U\B\W\k\]h\ 'a\ U\B\i\ Z\U\M\i\ f\Y\g\]b\g\]f\i\ W\]c\B\g\U\B\X\ g\H\Y\c\]b\]b\] 'a\ U\Y\]U\g\i\ g\Y\X\ X\Z\U\B\Y\]g\]b\] W\]a\ b\Y\m\U\g\Y\Y\B\Y\Z\i\ f\]V\g\ \Y\X\k\]h\ U\ b\Y\k\ ']b\Y\Z\h\m\Y\c\f\ a\ U\Y\c\Z\]b\Y\Z\]h\X\ " Y\L\ 8\Y\U\]g\c\Z\Z\i\Y\c\i\ h\Y\h\Y\fa\ ]b\U\ C\i\ h\Y\h\X\Y\U\] 7\c\ a\ d\]Y\g\k\]h\.	<b>New masonry chimney with:</b> <b>Dunbrik A1 concrete flue liners to BSEN1857</b> <b>200mm internal diameter</b>  <b>Tongue downwards into rebate</b> <b>and joined with Dunseal fireproof mortar</b>  <b>Cannon pot 450mm tall</b> <b>BSEN13502:2002</b> <b>2 bends ref 200B at 22.5 degrees</b>
---	---	--

	[L\ D\fc\]g\l\c\B\Z\f\W\U\B\]b\] U\B\X\Y\W\ a\ Y\B\X\X\Z\Y\e\i\ Y\B\W\]h\	<b>Annually via fireplace opening</b>
--	---	---------------------------------------

7	< Y\U\h\ " : c\fa\ c\Z\W\B\g\]f\i\ W\]c\B\ "B\Y\k\ 'c\f\Y\]g\]b\]b\]	<b>New</b> <b>As diagram 25 in ADJ</b>
---	--	---

8	→g\g\Y\W\]c\B\U\B\X\Y\g\]b\] U\Z\Y\W\ a\ d\Y\]c\B\ H\Y\g\]f\B\dd\Y\B\X\l\ '9\]b\ 5\8\ >\&\\$S\&\L\U\B\X\Y\g\i\ ]g\ : i\Y\]b\g\g\Y\W\]c\B\f\Y\g\i\ ]g\ J\]g\i\U\ G\k\Y\Y\]b\] 7\c\]f\]b\] \W\ G\ a\ c\Y\ G\ d\]U\Y\ 5\dd\]U\B\W\]f\k\ \Y\Y\]b\W\ X\Y\X\.	H\Y\g\]g\W\]f\]Y\X\c\i\ h\i\V\m\
---	---	----------------------------------

**I/We the undersigned confirm that the above details are correct. In my opinion, these works comply with the relevant requirements in Part J of Schedule 1 to the Building Regulations.**

D\]f\]b\]h\U\ a\ Y\ / ]h\Y \_\_\_\_\_ D\fc\Z\Y\g\]c\B \_\_\_\_\_

7\U\dd\U\]l\m \_\_\_\_\_ H\Y\bc \_\_\_\_\_

5\X\Y\g\g \_\_\_\_\_ D\c\g\]W\X\Y \_\_\_\_\_

G\] ]b\Y\X \_\_\_\_\_ 8\U\Y \_\_\_\_\_

F\Y\]g\]f\Y\X\ a\ Y\ a\ V\Y\g\ \d\c\Z\]f\] " : U\g\G\U\Z\h\Z\c\ : H\9\Z\c\ 9\H\5\G\Z\B\5\7\9\Z\B\5\7\G\L