

# Dunbrik flues

Sample 300mm I.D. flue liner system for open with offset.

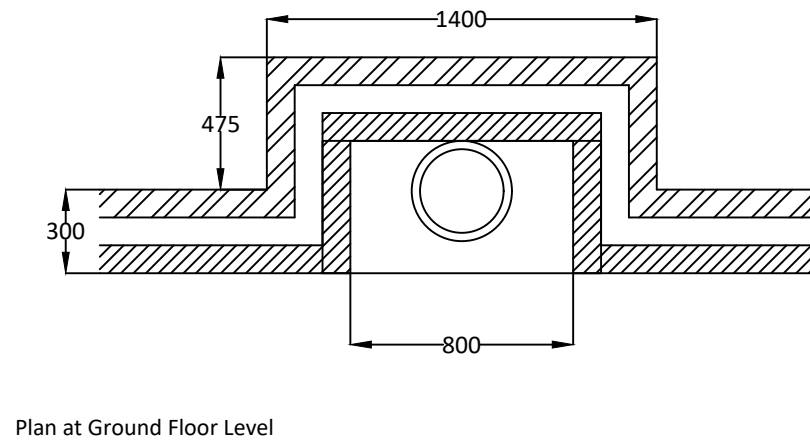
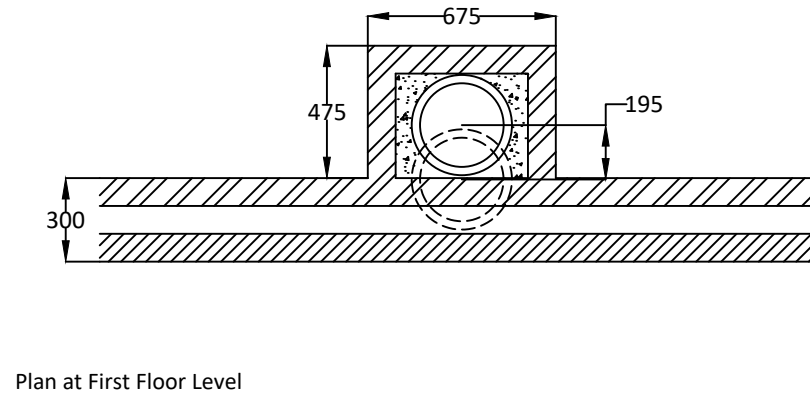
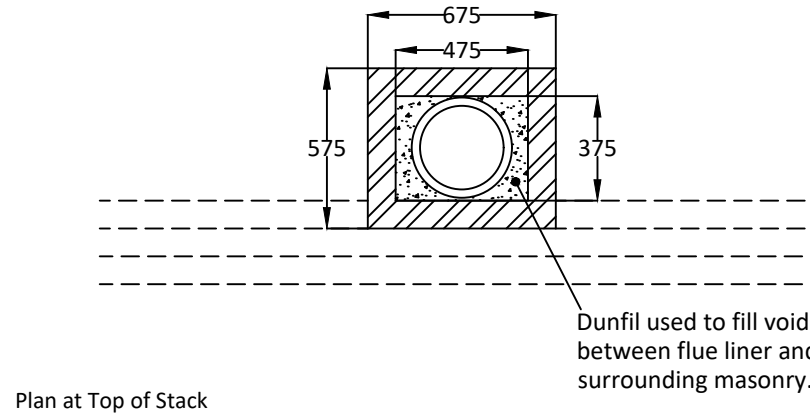
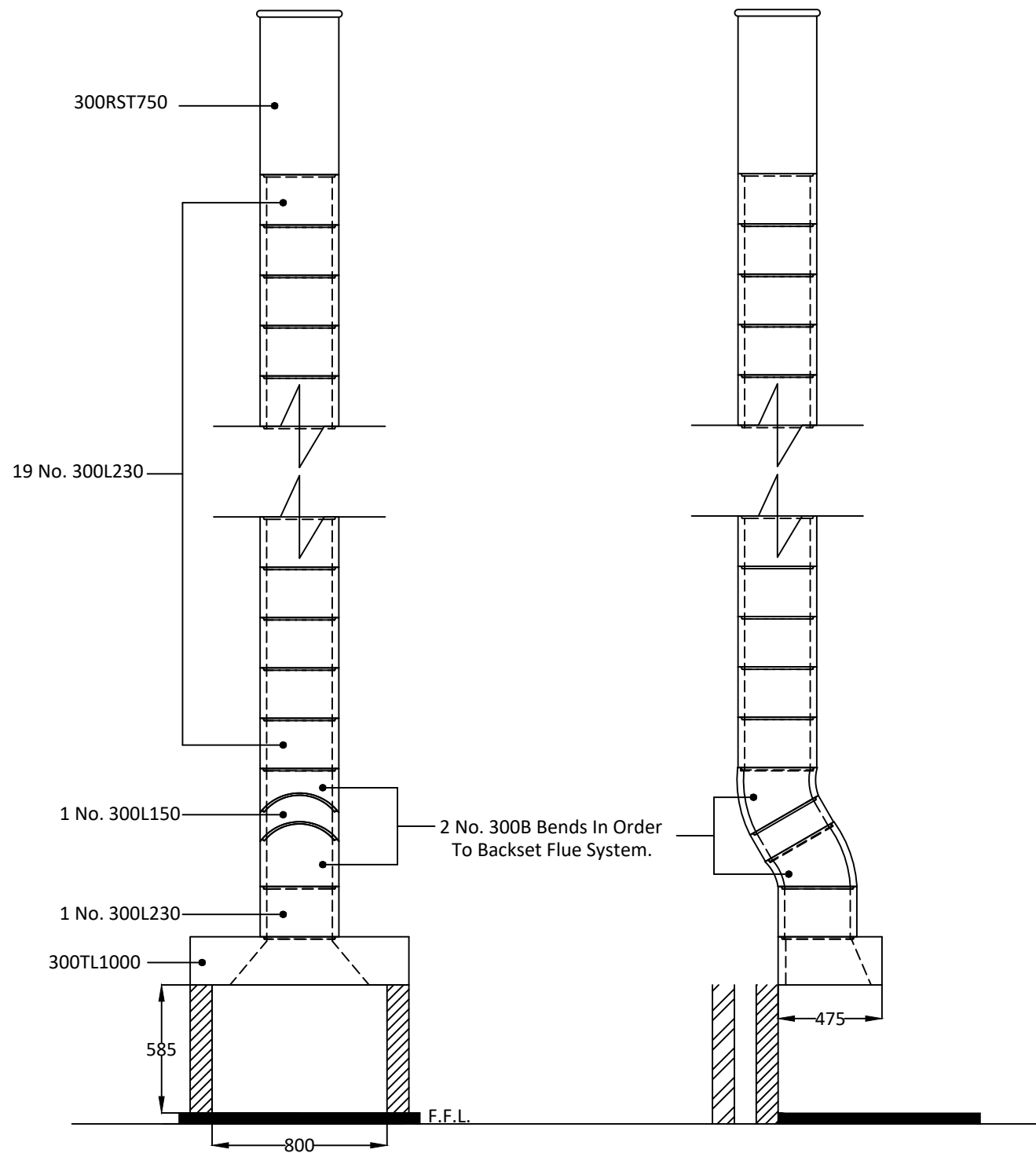
Date: August 2020

Telephone: 01924 373694 Email: tech@dunbrik.co.uk Web: www.dunbrik.co.uk

Ref: **DUN-08-6M**

## Notes

Chimney Height taken from FFL to underside of chimney pot.



Dunbrik A1 Concrete Flue Liner System to BS EN 1857

Please have your architect check this estimate to your drawings to ensure it meets both your requirements and current building regulations, british standards and codes of practice.

**ALL DIMENSIONS ARE SHOWN IN MILLIMETRES  
NOT TO SCALE**

Costing for: **SAMPLE COSTING**  
House with 300mm I.D. Flue.  
Chimney height 6000mm, Offset 195mm.

Costing ref **DUN-08-6M**  
Date 07 August 2020  
By SJ  
Price list July 2019

Components	Product code	Qty	Prices each	Cost £
Throat lintel/gather unit 1000mm wide	300TL1000	1	103.13	103.13
300mm flue liner bend at 30 degrees	300B	2	47.58	95.16
300mm flue liner 230mm tall	300L230	20	25.96	519.20
300mm flue liner 150mm tall	300L150	1	16.09	16.09
Flue liner sealant 310ml	Dunseal	12	6.36	76.32
Infill aggregate 22kg mix for void	Dunfil	24	13.26	318.24
300mm straight 750mm pot red	300RST750R	1	212.05	212.05
Topguard birdguard cowl 350 id red	TG350R	1	147.68	147.68
Smoke pellet tube	Smoke	1	10.80	10.80
Flue notice plate	Plate	1	7.36	7.36
Red polypropylene air brick 220mm x 72mm	REDG930	6	0.88	5.28
High impact styrene black cavity sleeve 218mm x 72mm	CSG935	6	4.79	28.74

Cost ex-works *	<b>1540.05</b>
Delivery charge	<b>95.00</b>
Goods	<b>£ 1,635.05</b>
VAT @ 20%	<b>327.01</b>
Total	<b>£ 1,962.06</b>

For UK mainland up to 300 miles, orders over £1,700 goods value are delivered free  
Charge for individually plotting multiple flue orders is £30 per flue.  
\* For collection orders add collection charge of £15 plus VAT

Prices shown are based on the Dunbrik ex-works trade price list of July 2019 and are valid for 30 days.  
Prices are subject to VAT. All trading is subject to our standard conditions of sale (copy available).

**Notes**

This flue costing is based on information provided. Please have your architect check the costing to your drawings prior to ordering to ensure that it meets with your requirements. Please also check the pot/terminal style and colour.  
For construction guidance refer to the flue illustration and the installation guide available by post, fax or website.  
The infill is based on a 20mm void between the liners and masonry  
Please ensure that the flue and chimney are constructed in accordance with Building regulations part J

H\Y\W\W\g\h\g\U\g\Y\c\6\i\]X\]b\ F\Y\i\ U\h\c\g\5\8\>\5\dd\Y\B\X\] 5" k\h\ 8\i\ b\m\] Z\i\ Y\]b\Y\g\g\h\Y\ a\ X\H\U\H\Y\V\i\]X\Y\]b\g\U\Y\F\ 'g\c\i\ X\]b\g\Y\h\X\Y\U\]g\c\Z\H\Y\U\M\U\Z\]Y\U\W\c\d\Y\B\]b\] g\h\Y\g\Z\U\M\U\] Y\]b\h\U\h\c\]b\g\U\Y\X\U\B\X\U\B\N\]i\ U\]U\h\c\g\l\c\ H\Y\i\ g\i\ U\X\H\U\

cf	<b>SAMPLE COSTING</b>	7cghjbl TYz	<b>DUN-08-6M</b>
G]YU		D'chibi a Vyf	
GngfYa	<b>Dunbrik 300mm id A1 concrete flue liners</b>	<ci gY hmlY	<b>House with 300mm I.D. Flue.</b>
8UY	<b>12 Aug 2020</b>	7i ghe a YfYZ	<b>Chimney height 6000mm, Offset 195mm.</b>

**Checklist for hearths, fireplaces, flues and chimneys**

H\g\W\W\W\]g\h\W\B\ \Y\d\nai\ l\c\Y\bg\i\Y\U\h\g\Z\]Y\U\W\g\Z\i\ Y\g\U\B\X\W\]a\ b\Y\ng\U\Y\g\U\h\g\Z\U\M\c\m\i\Z\nai\ \U\j\Y\V\Y\B\X\]Y\W\i\m\Y\B\] U\] Y\X\ W\d\]g\g\c\i\ X\U\g\c\Y\c\Z\]Y\X\l\c\ h\Y\W\Y\h\U\B\l\c\ h\Y\6\i\]X\]b\] 7\c\b\l\c\Ve\X\ri\c\g\c\k\k\U\h\m\i\ \U\j\Y\X\c\B\Y\l\c\W\ a\ d\m\k\]h\ ' H\Y\Y\l\c\]Y\ a\ Y\B\l\c\Z\U\h\c\Z\nai\ U\Y\U\g\i\ V\W\h\U\M\c\Z\U\W\m\g\c\i\ X\W\c\Z\]Y\X\l\c\ h\Y\ a\ U\]b\W\h\U\M\c\]

<b>Items listed in ADJ Appendix A</b>	<b>Details for builder to complete or amend</b>
---------------------------------------	---

1 6i ]X]b\ U\X\Y\g\g\Z\k\ \Y\Y\k\c\L\ \U\g\V\Y\B\W\]Y\X\c\i\ h

		5a YbX
--	--	--------

2 =X]b\]W\]h\c\c\Z\Y\U\h\Z\]Y\U\W\Z\W\]a\ b\Y\m\c\Z\i\ Y"

3 : ]]b\ ]W\U\]h\m\g\c\]X\Z\Y\]U\g\c\]U"

4 =h\Y\B\X\h\m\Y\c\Z\U\dd\]U\B\W" G\H\Y\h\m\Y\c\fa\ U\Y" -Z\c\Y\B\]Y\] ]Y\Z\]g\ \Y\X\]Y\U\W\c\d\Y\B\]b\] X\]a\ Y\B\g\c\B\g"

5 J\Y\h\]U\h\c\B\]d\c\]g\c\B\g\Z\]f\h\Y\U\dd\]U\B\W G\H\Y\h\m\Y\U\B\X\U\Y\U\c\Z\]d\Y\fa\ U\B\Y\h\m\c\d\Y\B\]U\]f\] Y\B\]g

6 7\]a\ b\Y\m\c\Z\i\ Y\W\B\g\h\i\ W\]c\B\ U G\H\Y\h\Y\h\m\Y\c\fa\ U\Y\U\B\X\k\ \Y\h\Y\B\Y\k\c\]f\Y\]g\]b\] " V\c\ =h\Y\B\U\Z\i\ Y\g\h\Y\]f\U\B\X\Y\e\i\ ]\] U\Y\B\h\Z\i\ Y\ \Y\] \]Z\k\ \Y\Y\ W\W\U\B\X\B\U\h\i\U\X\U\ ]\h\] U\g\U\dd\]U\B\W\g\c\B\]n\l\ W\ -Z\]Y\]g\U\Y\i\ g\Y\X\W\B\Z\]a\ h\Y\m\U\Y\W\]f\Y\W\m\i\c\]h\X\ ]\U\W\]f\U\B\W\k\]h\ 'a\ U\B\i\Z\M\i\]f\Y\g\]b\g\h\i\ W\]c\B\g\U\B\X\ g\H\Y\c\B\]b\] 'a\ U\h\]U\g\i\ g\Y\ X\ -Z\U\B\Y\]g\]b\] W\]a\ b\Y\m\U\g\V\Y\B\]f\Z\]f\Y\g\Y\X\k\]h\ U\ b\Y\k\ ]\B\Y\Z\h\m\Y\c\fa\ U\Y\c\Z\]Y\]f\]W\X" Y\ 8\Y\U\]g\c\Z\i\ Y\c\i\ h\Y\h\Y\fa\ ]\B\U Ci\ h\Y\h\X\Y\U\] 7\c\ a\ d\]Y\g\k\]h\ Z\ B\i\ a\ W\]f\U\B\X\U\] Y\c\Z\Y\B\X\g"

[L Dfcj ]g\c\B\Z\]f\W\U\B\]b\] U\B\X\Y\W\ a\ a\ Y\B\X\X\Z\Y\e\i\ Y\B\W\]i\ **Annually via fireplace opening**

7 <Y\U\h\":\ c\fa\ c\Z\W\B\g\h\i\ W\]c\B\]B\Y\k\c\]f\Y\]g\]b\] **New As diagram 25 in ADJ**

8 =g\g\Y\W\]c\B\U\B\X\]Y\]g\]b\] U\Z\]f\W\ a\ d\Y\]c\B\ H\Y\g\h\]f\]d\]d\]Y\B\X\] 9\]B\]5\8\>\&S\&L\U\B\X\]f\]g\]i\]g\ : ]Y\]b\g\g\Y\W\]c\B\]f\]g\]i\]g\ J\]g\]U G\k\Y\Y\]d\]b\] 7\c\]f\]b\] \]U" Ga\c\Y G\]U\]Y 5\dd\]U\B\W\]f\k\ \Y\Y\]B\W\X\X\]

**I/We the undersigned confirm that the above details are correct. In my opinion, these works comply with the relevant requirements in Part J of Schedule 1 to the Building Regulations.**

Df]b]h]b]U\ a\ Y/ ]h\Y	_____	Dfc\Z\]g\g\c\B	_____
7\U\U\]m	_____	H\c	_____
5\X\]Y\g\g	_____	D\c\g\W\X\Y	_____
G\] ]\b\Y\X	_____	8\U\Y	_____
F\Y\]g\]Y\X\ a\ Y\ a\ W\]f\]g\]d\]c\Z\]f\]m\]":\ U\g\G\U\Z\]m\c\:\ H\9\Z\<9\H\5\G\Z\B\5\7\9\Z\B\5\7\G\L			