

# Dunbrik flues

Sample 450mm I.D. flue liner system for open fire with offset.

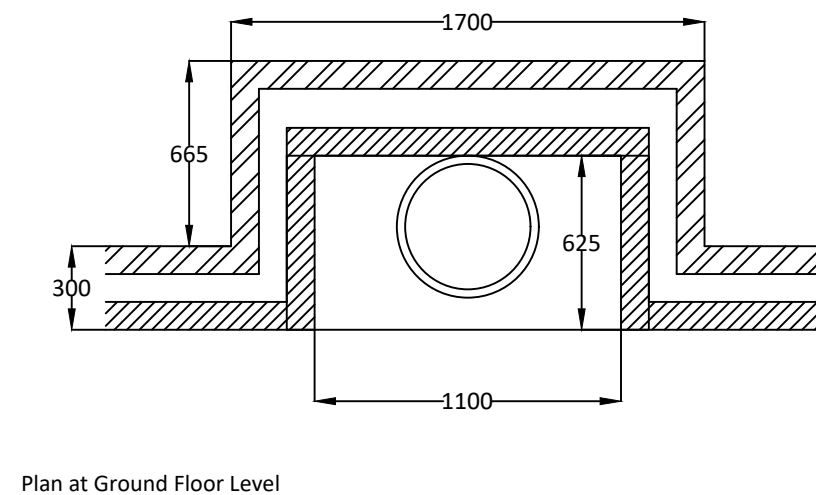
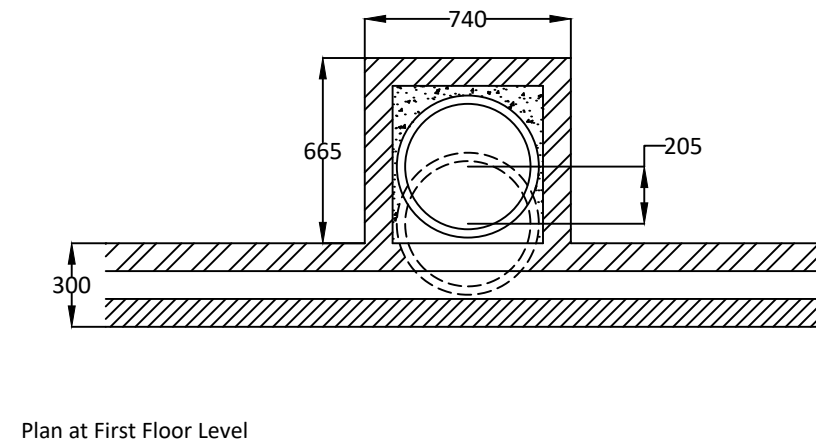
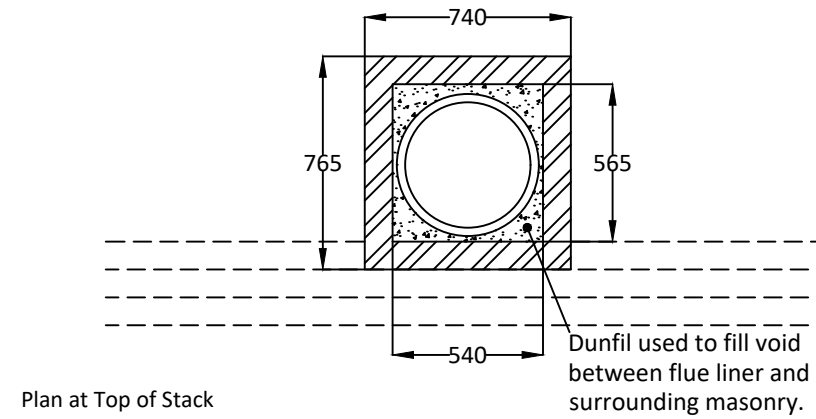
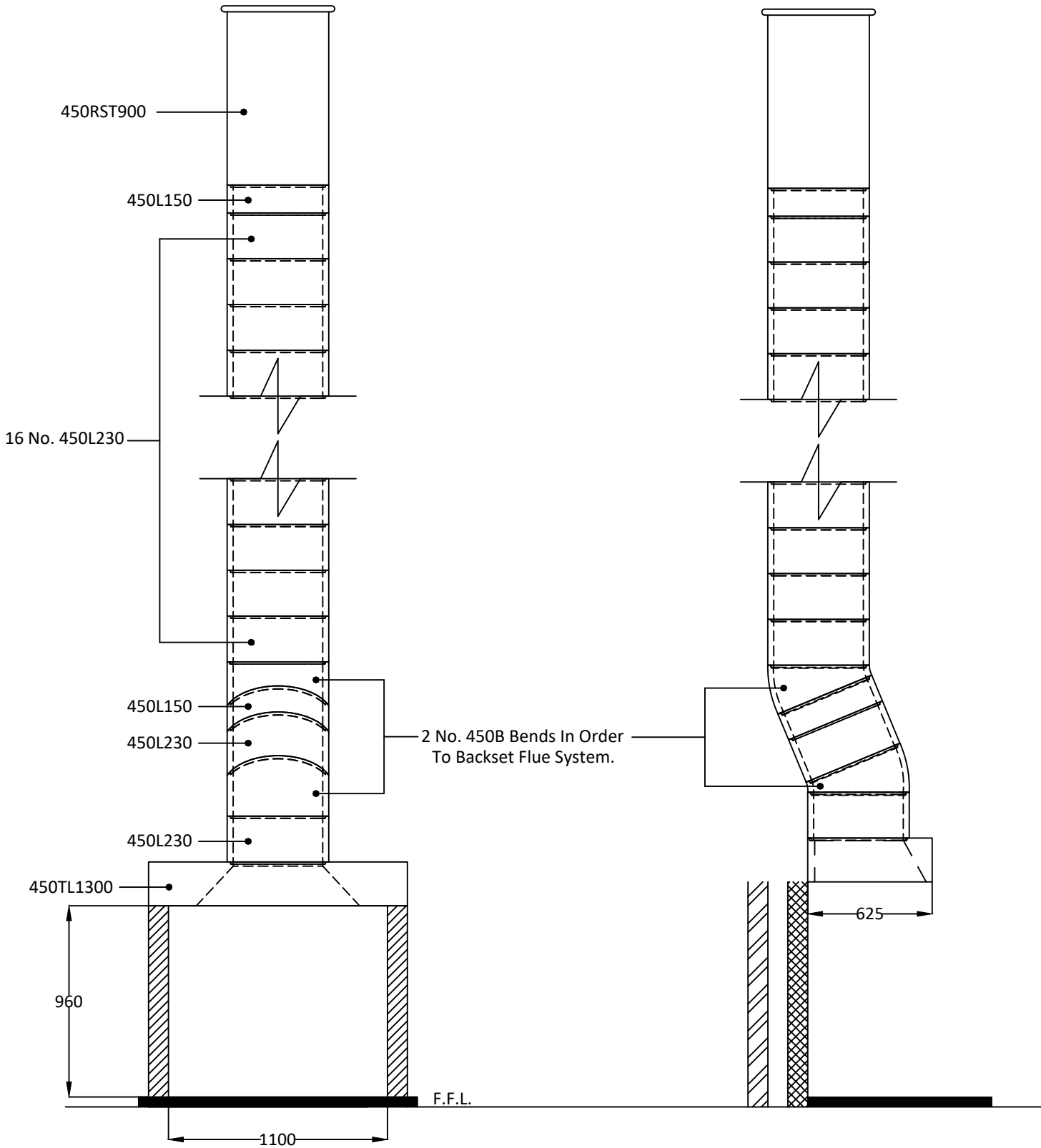
Date: August 2020

Telephone: 01924 373694 Email: tech@dunbrik.co.uk Web: www.dunbrik.co.uk

Ref: **DUN-14-6M**

## Notes

Chimney Height from FFL to underside of chimney pot.



Dunbrik A1 Concrete Flue Liner System to BS EN 1857

Please have your architect check this estimate to your drawings to ensure it meets both your requirements and current building regulations, british standards and codes of practice.

**ALL DIMENSIONS ARE SHOWN IN MILLIMETRES NOT TO SCALE**

Costing for: **SAMPLE COSTING**  
House with 450mm I.D. Flue.  
Chimney height 5980mm, Offset 205mm.

Costing ref **DUN-14-6M**  
Date 07 August 2020  
By SJ  
Price list July 2019

Components	Product code	Qty	Prices each	Cost £
Throat lintel/gather unit 1300mm wide	450TL1300	1	240.64	240.64
450mm flue liner bend 22.5 degrees	450B	2	92.69	185.38
450mm flue liner 230mm tall	450L230	18	58.96	1061.28
450mm flue liner 140mm tall	450L150	2	38.47	76.94
Flue liner sealant 310ml	Dunseal	22	6.36	139.92
Infill aggregate 22kg mix for void	Dunfil	26	13.26	344.76
450mm straight 900mm pot red	450RST900R	1	340.88	340.88
Topguard birdguard cowl 500 id red	TG500R	1	182.41	182.41
Smoke pellet tube	Smoke	1	10.80	10.80
Flue notice plate	Plate	1	7.36	7.36
Red polypropylene air brick 220mm x 72mm	REDG930	13	0.88	11.44
High impact styrene black cavity sleeve 218mm x 72mm	CSG935	13	4.79	62.27

Cost ex-works *	<b>2664.08</b>
Delivery charge	<b>95.00</b>
Goods	<b>£ 2,759.08</b>
VAT @ 20%	<b>551.82</b>
<b>Total</b>	<b>£ 3,310.90</b>

For UK mainland up to 300 miles, orders over £1,700 goods value are delivered free

Charge for individually plotting multiple flue orders is £30 per flue.

\* For collection orders add collection charge of £15 plus VAT

Prices shown are based on the Dunbrik ex-works trade price list of July 2019 and are valid for 30 days.

Prices are subject to VAT. All trading is subject to our standard conditions of sale (copy available).

**Notes**

This flue costing is based on information provided. Please have your architect check the costing to your drawings prior to ordering to ensure that it meets with your requirements. Please also check the pot/terminal style and colour.

For construction guidance refer to the flue illustration and the installation guide available by post, fax or website.

Please ensure that the flue and chimney are constructed in accordance with Building regulations part J

H\Y WYW\ghlg VUgYXcb'6i |X|b| F Y | i Uhcbg'58>'5ddYbX|l '5" k |h '8i bVf|\_ Zi Y' |bYf'gng|Ya 'XLU' H\Y Vi |XYf#bgU'Yf 'g'ci 'X |bgYfhXYU|g'cZ\h Y UM| U ZfYd'UW'cdYb|b| 'ghYgzUMi U'j Yb|U|cb |bgU'YX'UbX'Ubnj U|U|cbg'le 'h Y i gi U 'XLU'

cf	<b>SAMPLE COSTING</b>	7cg b  fYZ	<b>DUN-14-6M</b>
G Y'U		D'chbi a VYf	
Gng Ya	<b>Dunbrik 450mm id A1 concrete flue liners</b>	< ci gY'hdY	<b>House with 450mm I.D. Flue.</b>
8UY	<b>12 Aug 2020</b>	7i g ca Y'fYZ	<b>Chimney height 5980mm, Offset 205mm.</b>

**Checklist for hearths, fireplaces, flues and chimneys**

H\g'WYW\ghWb\Y'd'nm| 'le 'Ybgi fY\ YUfh'gzZfYd'UW'gzZi Yg'UbXW|a bYng'UY'gUhgZUM'fni'-Znri \Uj Y VYb X|fY'WiniYb| U |YX& Wd|Yg'g'ci 'X'Ugc 'Y'cZ'ZfYX'le 'h Y W|Yb|U'X'le 'h Y'6i |X|b| '7'cb|ic 'VeXrite g'ck k \U'ini ' \Uj Y'X'cbY'le 'W'a d'nik |h ' 'h Y'fYei |fYa Yb|g'cZdU|h'-'-Znri UY'U'g| V'Wb|fU'U'fZ'U'W'dmg'ci 'X'W'cZ'ZfYX'le 'h Y'a U|b'Wb|fU'U'f'

<b>Items listed in ADJ Appendix A</b>	<b>Details for builder to complete or amend</b>
---------------------------------------	---

1 6i |X|b| UXX'Yggzk \YfY'kcf\_ \Ug'VYyb WffYX'ci h

		5a YbX
--	--	--------

2 =Xb|Z'W|cb'cZ\YU'h'zZfYd'UW'zW|a bYn'ic'Zi Y'

**Fireplace in lounge**

3 : |f|b| 'WdU|' |hmg'c'XZ Y# Ug't|'h'

**All**

4 =hYbXYX'hdY'cZ'dd' |UbW' GHUY'hdY'cf'a U\_Y' =ZcdYb ZfY' |j Y Z|bg \YX'ZfYd'UW'cdYb|b| 'X'a Yb|cbg'

**For gas fire or solid fuel fire  
1,060,000 sq.mm maximum**

5 J Yb|U|cb'd'fcj |g|cbg'Z'f'h Y'Udd' |UbW GHUY'hdY'UbX'UYU'cZ'dYfa UbYb'h'ic'dYb U|f'j Yb|g

**Through wall ventilation  
80,000 sq mm minimum**

6 7\|a bYn'ic'Zi Y'Wb|gh| V|cb U GHUY'h Y'hdY'cf'a U\_Y'UbX'k \Yh'Yf'bYk 'cf'Y| |g|b| " V'L =b|f'U'Zi Y'ghY'f'UbX'Ye| |j U'Yb|Zi Y\Y| \L'k \YfY V'W'U'h'X'b'U'h fU'X'U | \h| U'g'Udd' |UbW'g'c'b'ni" V'W =Z|bYf'g'UY'i gYX'Wb|Z'fa 'h Y'm'UY'W'ffY'W'ni'c' |b|YX |b'U'W'f'X'Ub'W'k |h 'a Ubi Z'Mi fYf'g' |bg|h| V|cbg'UbX g|U'Y'c' |b|b| 'a U'h|f'U'g'i gYX" X'L =Z'Ub Y| |g|b| 'W|a bYn'i U'g'VYyb fYZ fV|g \YX'k |h 'U bYk ' |b'Yf'z'hdY'cf'a U\_Y'c'Z' |bYf' Z'HX" Y'L 8YU|g'cZ'Zi Y'ci hY'h'Yfa |bU C i hY'hXYU| 7ca d' |Yg'k |h. Z. Bi a V'f'UbX'Ub| 'Y'cZ'WbX'g'

**New masonry chimney with:  
Dunbrik A1 concrete flue liners to BSEN1857  
450mm internal diameter**

**Tongue downwards into rebate  
and joined with Dunseal fireproof mortar**

**450mm straight 900mm pot  
BSEN13502:2002  
2 bends ref 450B at 22.5 degrees**

[L D'fcj |g|cb'Z'f'WYU' |b| 'UbX'f'W'a a Yb'X'X'Z'Ye| Yb'W'h

**Annually via fireplace opening**

7 <YU'h'": cfa 'cZ'W'bg|h| V|cb'BYk 'cf'Y| |g|b|

**New  
As diagram 25 in ADJ**

8 =bgdY'W|cb'UbX'Y'g|b| 'UZ'Y'W'a d'Y'j'cb H'Y'gh'f'dd'YbX|l '9' |b'58 > &SS&L'UbX'fY'g| 'lg : 'i Y' |bgdY'W|cb'fY'g| 'lg J |g| U Gk'Y'Yd|b| 7'cf|b| 'VU' Ga c\_Y Gd|'U' Y

H'Y'g|g'W'ffY'X'ci h'V'r

I/We the undersigned confirm that the above details are correct. In my opinion, these works comply with the relevant requirements in Part J of Schedule 1 to the Building Regulations.

D f b b Ua Y/  h'Y	_____	D'fc'Z'Ygg cb	_____
7UdUW hm	_____	HY'bc	_____
5XX'fYgg	_____	D'cg WXY	_____
G   bYX	_____	8UY	_____
F Y  g h'Y'X'a Ya V'f'g'  d'cZ'f'  ": U'g'GUZ'h'z'c: H97z<9H5GzB579zB57GL			