

Dunbrik flues

Sample 450mm I.D. flue liner system for open fire with offset.

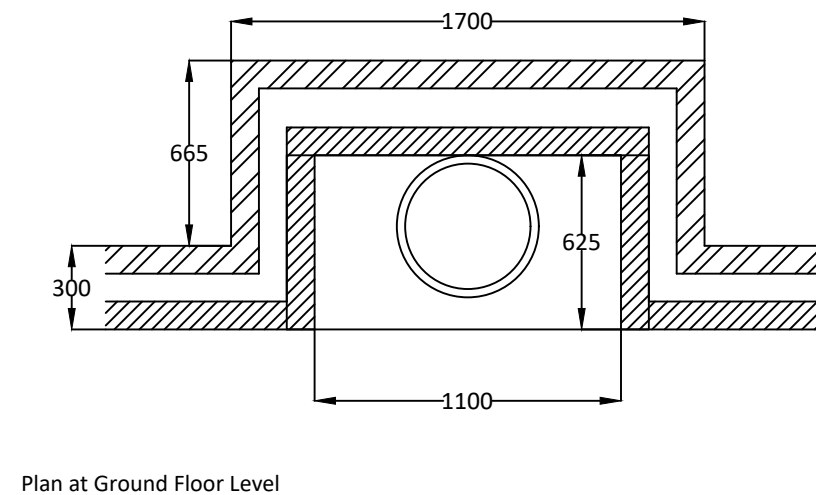
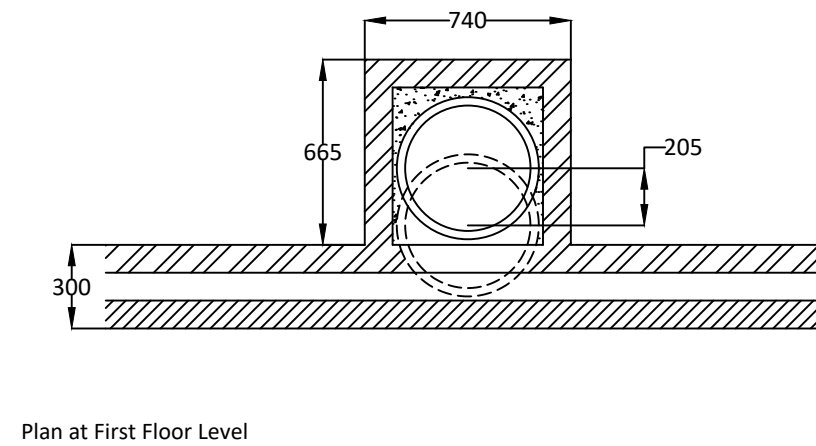
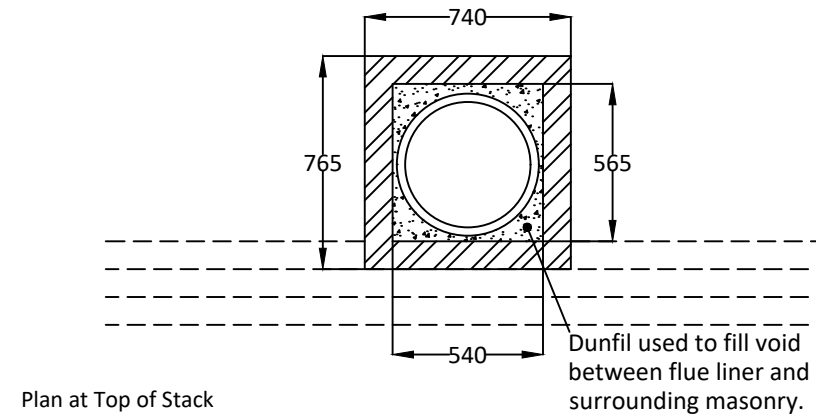
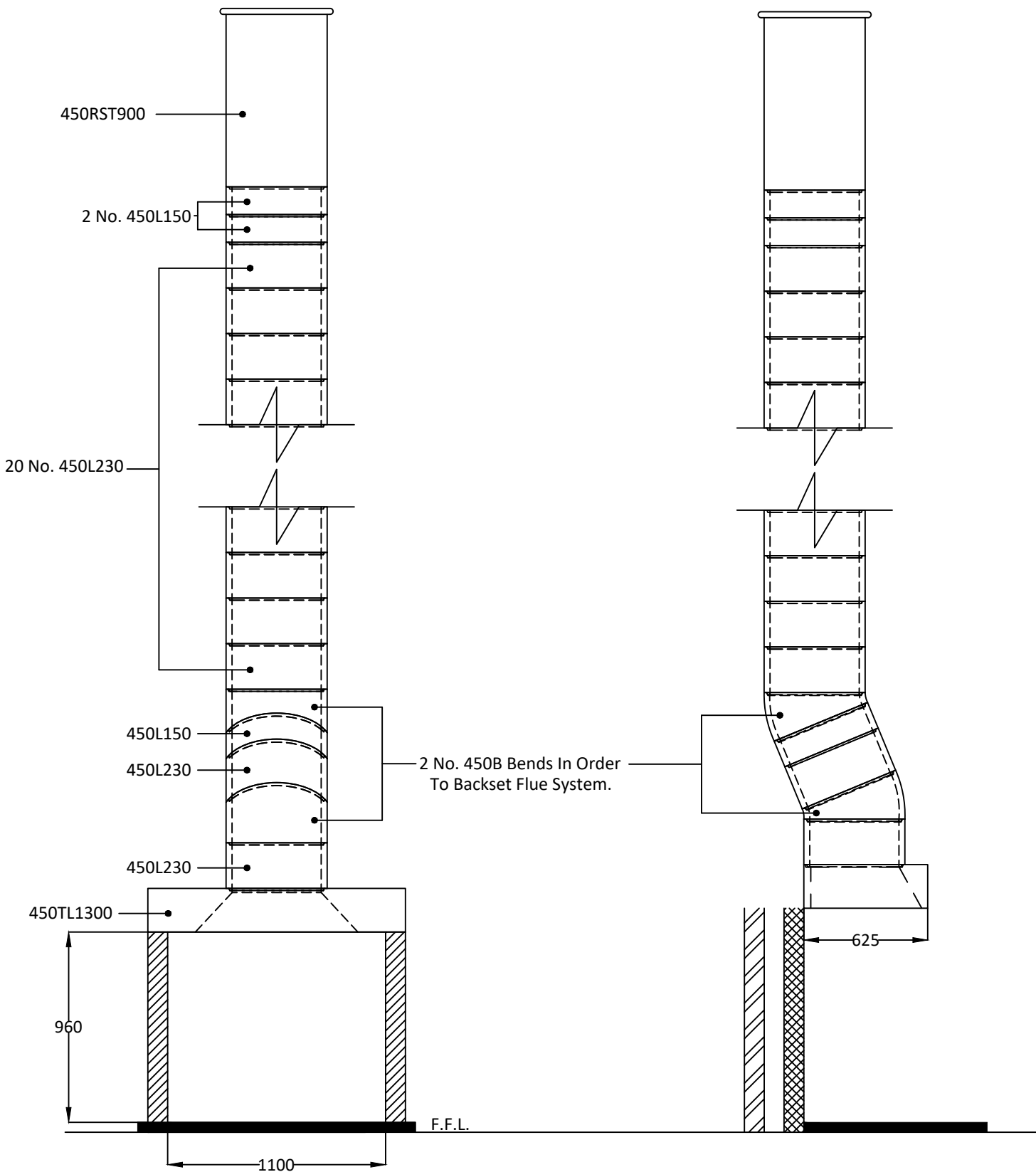
Date: August 2020

Telephone: 01924 373694 Email: tech@dunbrik.co.uk Web: www.dunbrik.co.uk

Ref: **DUN-14-7M**

Notes

Chimney Height of 7050mm from FFL to underside of chimney pot.



Dunbrik A1 Concrete Flue Liner System to BS EN 1857

Please have your architect check this estimate to your drawings to ensure it meets both your requirements and current building regulations, british standards and codes of practice.

**ALL DIMENSIONS ARE SHOWN IN MILLIMETRES
NOT TO SCALE**

Costing for: **SAMPLE COSTING**
450mm I.D. flue system for open fire with offset.
Chimney height 7050mm from ffl to u/s pot

Costing ref **DUN-14-7M**
Date 01 August 2020
By SJ
Price list July 2019

| Components | Product code | Qty | Prices each | Cost £ |
|--|--------------|-----|-------------|---------|
| Throat lintel/gather unit 1300mm wide | 450TL1300 | 1 | 240.64 | 240.64 |
| 450mm flue liner bend 22.5 degrees | 450B | 2 | 92.69 | 185.38 |
| 450mm flue liner 230mm tall | 450L230 | 22 | 58.96 | 1297.12 |
| 450mm flue liner 140mm tall | 450L150 | 3 | 38.47 | 115.41 |
| Flue liner sealant 310ml | Dunseal | 27 | 6.36 | 171.72 |
| Infill aggregate 22kg mix for void | Dunfil | 34 | 13.26 | 450.84 |
| 450mm straight 900mm pot red | 450RST900R | 1 | 340.88 | 340.88 |
| Topguard birdguard cowl 500 id red | TG500R | 1 | 182.41 | 182.41 |
| Smoke pellet tube | Smoke | 1 | 10.80 | 10.80 |
| Flue notice plate | Plate | 1 | 7.36 | 7.36 |
| Red polypropylene air brick 220mm x 72mm | REDG930 | 13 | 0.88 | 11.44 |
| High impact styrene black cavity sleeve 218mm x 72mm | CSG935 | 13 | 4.79 | 62.27 |

| | |
|-----------------|-------------------|
| Cost ex-works * | 3076.27 |
| Delivery charge | 95.00 |
| Goods | £ 3,171.27 |
| VAT @ 20% | 634.25 |
| Total | £ 3,805.52 |

For UK mainland up to 300 miles, orders over £1,700 goods value are delivered free
Charge for individually plotting multiple flue orders is £30 per flue.
* For collection orders add collection charge of £15 plus VAT

Prices shown are based on the Dunbrik ex-works trade price list of July 2019 and are valid for 30 days.
Prices are subject to VAT. All trading is subject to our standard conditions of sale (copy available).

Notes

This flue costing is based on information provided. Please have your architect check the costing to your drawings prior to ordering to ensure that it meets with your requirements. Please also check the pot/terminal style and colour.
For construction guidance refer to the flue illustration and the installation guide available by post, fax or website.

Please ensure that the flue and chimney are constructed in accordance with Building regulations part J

H\Y\W\Y\l\g\h\g\U\g\Y\c\b\6\i\|X\l\ F\Y\| i\ U\j\c\g\58>\5\dd\Y\X\l\ 5\''k\h\ 8\i\ b\U\l\ Z\i\Y\|b\Y\g\g\h\Y\ \X\U\H\Y\V\|X\Y\#\g\U\Y\F\ 'g\c\i\ X\|b\g\Y\h\X\U\|g\c\Z\h\Y\U\m\i\ U\ Z\Y\Y\U\W\c\Y\b\|b\| 'g\h\Y\g\z\U\m\i\ U\j\ Y\h\|U\j\c\b\|b\g\U\Y\X\U\X\U\m\j\ U\|U\j\c\g\l\c\h\Y\i\g\i\ U\X\U\H\'

| | | | |
|---------|---|----------------|--|
| cf | SAMPLE COSTING | 7cg b FYZ | DUN-14-7M |
| G Y\U | | D'chbi a VVf | |
| Gng\h\A | Dunbrik 450mm id A1 concrete flue liners | < ci gY\m\l\Y | 450mm I.D. flue system for open fire with offset. |
| 8U\Y | 01 Aug 2020 | Zi g c\A\Y\Y\Z | |

Checklist for hearths, fireplaces, flues and chimneys

H\g\W\W\|g\h\W\b\Y\c\m\o\i\ l\c\ Y\g\i\ f\Y\ \Y\U\h\g\z\Y\Y\U\W\g\z\Z\i\ Y\g\U\X\W\|a\ b\Y\ng\U\Y\g\U\g\Z\U\m\i\f\h\i\Z\m\o\i\ \U\j\Y\V\Y\Y\X\|f\Y\W\m\i\h\|U\|U\X\g\ 'W\l\Y\g\g\c\i\ X\U\g\c\V\c\Z\Z\Y\X\l\c\h\Y\W\|b\h\U\X\l\c\h\Y\6\i\|X\l\| 7\c\l\l\c\ 'V\c\X\l\c\g\c\k\k\ \U\h\m\o\i\ \U\j\Y\X\c\b\Y\l\c\ 'W\A\ d\m\k\|h\ 'h\Y\Y\e\i\|Y\A\ Y\l\g\c\Z\l\U\h\>\Z\m\o\i\ U\Y\U\g\i\V\W\b\h\U\m\i\f\z\U\W\c\Y\b\|b\| 'X\W\Y\c\Z\Z\Y\X\l\c\h\Y\A\U\j\b\W\b\h\U\m\i\f\'

| | |
|---------------------------------------|---|
| Items listed in ADJ Appendix A | Details for builder to complete or amend |
|---------------------------------------|---|

1 6i|X|b| 'U\X\Y\g\z\k\ \Y\Y\k\c\f\ \U\g\V\Y\Y\W\|f\Y\X\c\i\ h

5a YbX

| | | | |
|---|---|--|--|
| 2 | æ\Y\h\Z\W\ c\c\Z\ \Y\U\h\z\Z\Y\Y\U\W\z\W\ a\ b\Y\m\c\f\Z\i\ Y' | Fireplace in lounge | |
| 3 | : f b 'W\l\U\ l\m\g\c\ X\Z\Y\# U\g\# 'U' | All | |
| 4 | h\h\Y\X\h\m\Y\c\Z\U\l\l\ U\W\ G\U\Y\h\m\Y\c\f\A\ U\Y' | For gas fire or solid fuel fire | |
| | -Z\c\Y\b\Z\Y\ j\Y\Z\ g\Y\X\Z\Y\Y\U\W\c\Y\b\ b\ X\A\ Y\g\c\g\ | 1,060,000 sq.mm maximum | |
| 5 | J\Y\h\ U\j\c\b\ f\c\j\ g\l\c\g\Z\c\f\h\Y\U\l\l\ U\W\ G\U\Y\h\m\Y\U\X\U\Y\U\c\Z\Z\Y\A\ U\Y\h\m\c\c\Y\U\ f\j\ Y\l\g\ | Through wall ventilation | |
| | | 80,000 sq mm minimum | |
| 6 | 7\A\ b\Y\m\c\f\Z\i\ Y\W\ g\h\ W\ c\b U G\U\Y\h\Y\h\m\Y\c\f\A\ U\Y\U\X\k\ \Y\h\Y\f\B\Y\k\ 'c\f\Y\ g\ b " | New masonry chimney with: | |
| | V\l\ h\h\f\U\Z\i\ Y\g\h\Y\f\l\X\Y\e\i\ j\U\Y\h\Z\i\ Y\ \Y\ \l\z\k\ \Y\Y\ W\W\U\h\X\b\U\i\ f\U\X\U\ \h\ U\g\U\l\l\ U\W\g\c\b\m\l' | Dunbrik A1 concrete flue liners to BSEN1857 | |
| | W\Z\ b\Y\g\U\Y\i\ g\Y\X\W\b\Z\ a\ h\Y\m\l\Y\W\f\Y\W\m\i\h\ b\Y\X\ b\U\W\f\X\l\W\k\ h\ 'a\ U\i\ Z\U\i\ f\Y\g\ b\g\h\ W\ c\g\U\X\ g\U\Y\c\ b\ b\ 'a\ U\h\ U\g\i\ g\Y\X' | 450mm internal diameter | |
| | X\l\ -Z\U\Y\l\ g\ b 'W\ a\ b\Y\m\l\U\g\V\Y\Y\b\f\Z\l\Y\g\Y\X\k\ h\ U\ b\Y\k\ 'l\Y\Z\h\m\Y\c\f\A\ U\Y\c\Z\ b\Y\Z\h\X' | Tongue downwards into rebate and joined with Dunseal fireproof mortar | |
| | Y\l\ 8\Y\U\ g\c\Z\Z\i\ Y\c\i\ h\Y\h\Y\A\ b\U C\i\ h\Y\h\X\U\ ' 7\c\A\ d\ Y\g\k\ h\. | 450mm straight 900mm pot | |
| | Z\l\ B\i\ a\ V\Y\f\U\X\U\ b\ 'Y\c\Z\W\Y\X\g\ | BSEN13502:2002 | |
| | [L\ D\c\j\ g\l\c\b\Z\c\f\W\U\ b\ 'U\X\f\Y\W\A\ a\ Y\h\X\X\Z\Y\e\i\ Y\b\W\h\ | 2 bends ref 450B at 22.5 degrees | |
| | | Annually via fireplace opening | |
| 7 | < \U\h\": c\A\ c\Z\W\ g\h\ W\ c\b\B\Y\k\ 'c\f\Y\ g\ b | New | |
| | | As diagram 25 in ADJ | |

| | | |
|---|---|--------------------------------|
| 8 | h\g\c\Y\W\ c\b\U\X\h\Y\g\ b 'U\Z\l\ 'W\A\ d\Y\ c\b H\Y\g\h\f\5\c\c\Y\X\l\ '9\ b\ 58 > '8\8\8\U\X\Y\g\i\ g\ : i\Y\ b\g\c\Y\W\ c\b\Y\g\i\ g\ J\ g\i\U G\k\Y\Y\l\ b\ 7\c\f\ b\ 'V\U' Ga\c\Y G\l\ U\Y | H\Y\g\ g\W\ f\Y\X\c\i\ h\V\m\: |
|---|---|--------------------------------|

I/We the undersigned confirm that the above details are correct. In my opinion, these works comply with the relevant requirements in Part J of Schedule 1 to the Building Regulations.

| | | | |
|--|-------|-----------------|-------|
| D\ b\h\U\A\ Y/ h\Y | _____ | D\c\Z\g\g\l\c\b | _____ |
| 7\U\l\U\ l\m | _____ | H\Y\ 'b\c | _____ |
| 5\X\Y\g\g | _____ | D\c\g\W\X\Y | _____ |
| G\ b\Y\X | _____ | 8\U\Y | _____ |
| F\Y\ g\h\Y\X\A\ Y\A\ V\Y\g\l\ c\Z\l\l\ ": U\g\G\U\Z\h\m\c\H\9\7\z\<9\H\5\G\z\B\5\7\9\z\B\5\7\G\l | | | |