

Dunbrik flues

Sample 450mm I.D. flue liner system for open fire with offset.

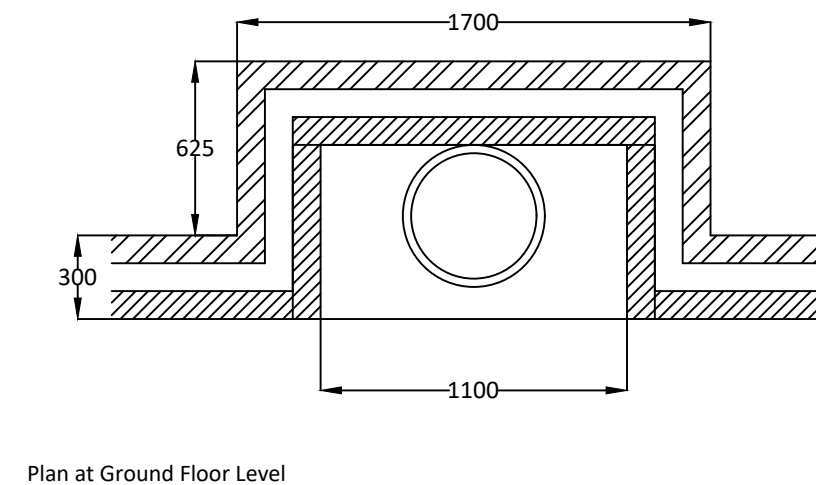
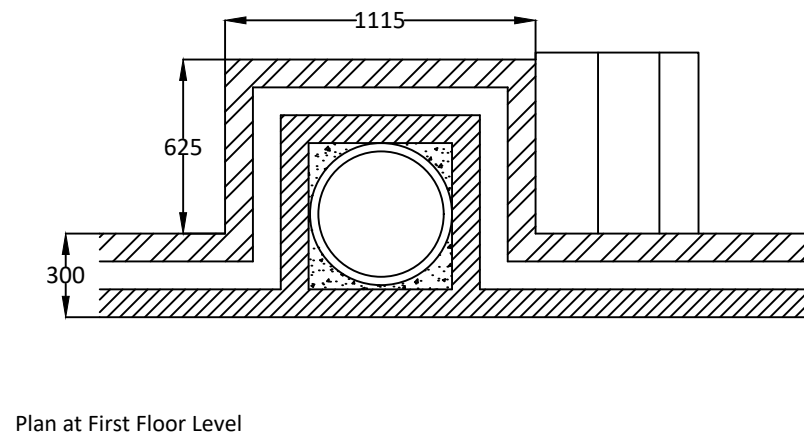
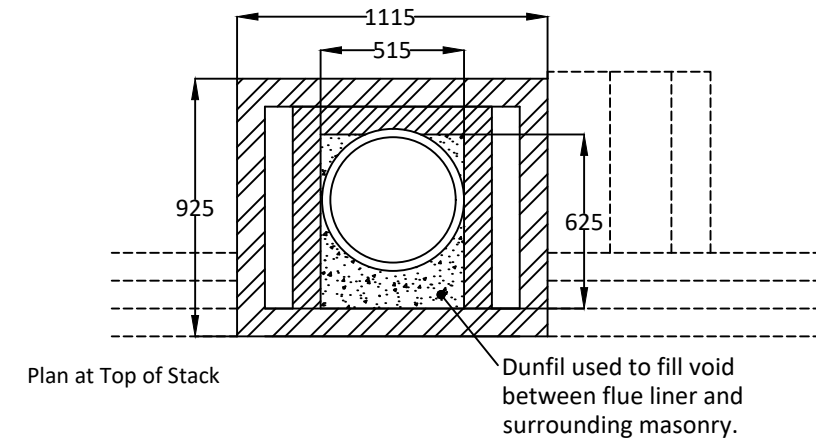
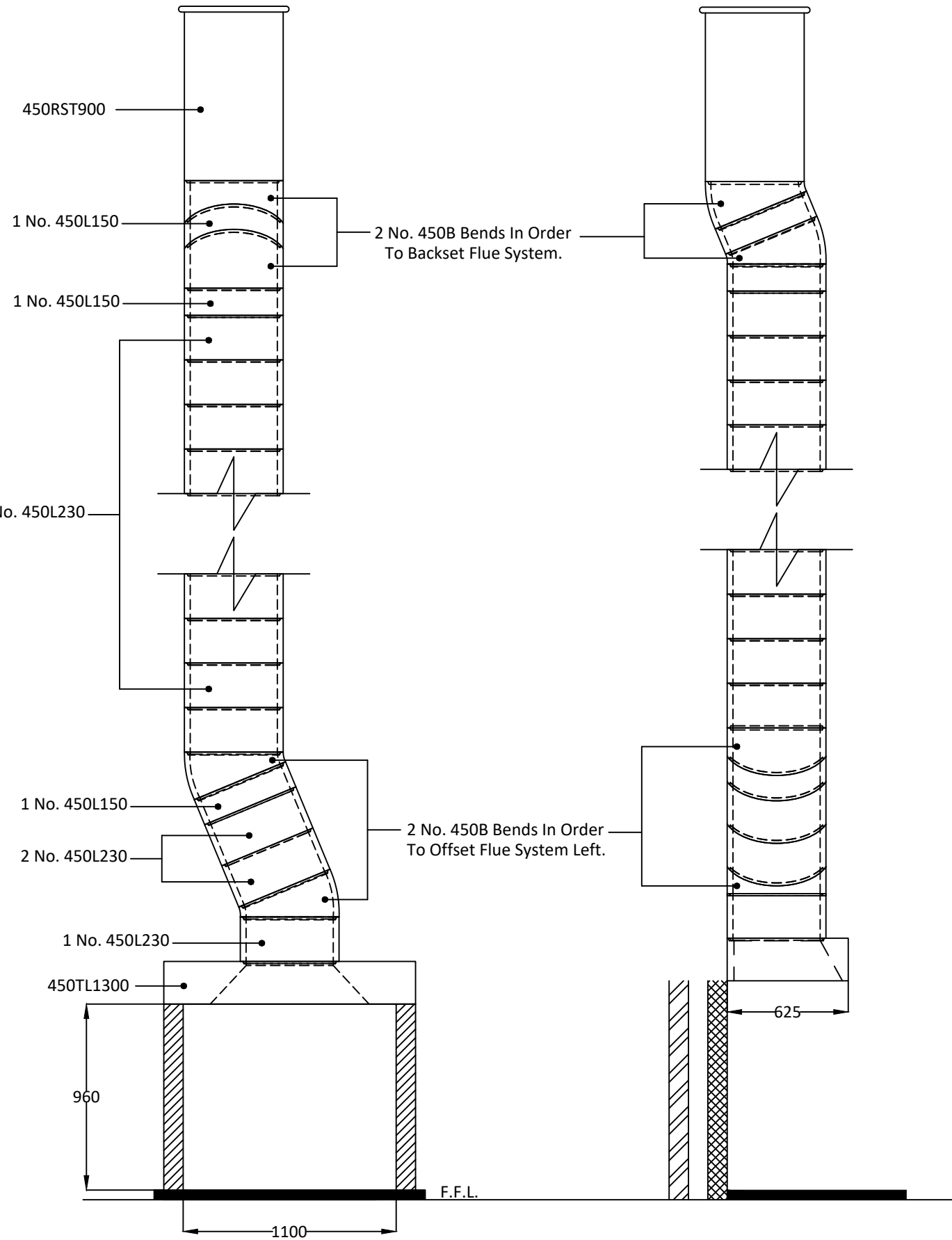
Date: August 2020

Ref: **DUN-15-6M**

Telephone: 01924 373694 Email: tech@dunbrik.co.uk Web: www.dunbrik.co.uk

Notes

Chimney Height from FFL to underside of chimney pot.



Dunbrik A1 Concrete Flue Liner System to BS EN 1857

Please have your architect check this estimate to your drawings to ensure it meets both your requirements and current building regulations, british standards and codes of practice.

ALL DIMENSIONS ARE SHOWN IN MILLIMETRES NOT TO SCALE

Costing for: **SAMPLE COSTING**
House with 450mm I.D. Flue.
Chimney height 5980mm, Offset 290mm, 120mm.

Costing ref **DUN-15-6M**
Date 07 August 2020
By SJ
Price list July 2019

Components	Product code	Qty	Prices each	Cost £
Throat lintel/gather unit 1300mm wide	450TL1300	1	240.64	240.64
450mm flue liner bend 22.5 degrees	450B	4	92.69	370.76
450mm flue liner 230mm tall	450L230	16	58.96	943.36
450mm flue liner 140mm tall	450L150	3	38.47	115.41
Flue liner sealant 310ml	Dunseal	23	6.36	146.28
Infill aggregate 22kg mix for void	Dunfil	29	13.26	384.54
450mm straight 900mm pot red	450RST900R	1	340.88	340.88
Topguard birdguard cowl 500 id red	TG500R	1	182.41	182.41
Smoke pellet tube	Smoke	1	10.80	10.80
Flue notice plate	Plate	1	7.36	7.36
Red polypropylene air brick 220mm x 72mm	REDG930	13	0.88	11.44
High impact styrene black cavity sleeve 218mm x 72mm	CSG935	13	4.79	62.27

Cost ex-works *	2816.15
Delivery charge	95.00
Goods	£ 2,911.15
VAT @ 20%	582.23
Total	£ 3,493.38

For UK mainland up to 300 miles, orders over £1,700 goods value are delivered free
Charge for individually plotting multiple flue orders is £30 per flue.
* For collection orders add collection charge of £15 plus VAT

Prices shown are based on the Dunbrik ex-works trade price list of July 2019 and are valid for 30 days.
Prices are subject to VAT. All trading is subject to our standard conditions of sale (copy available).

Notes

This flue costing is based on information provided. Please have your architect check the costing to your drawings prior to ordering to ensure that it meets with your requirements. Please also check the pot/terminal style and colour.
For construction guidance refer to the flue illustration and the installation guide available by post, fax or website.

Please ensure that the flue and chimney are constructed in accordance with Building regulations part J

H.Y.W.Y.W\jhg'VgYXcb'6i]Xb[F Y i U hcbg'58>5ddYbXj 5" k h 8i bVl_Zi Y j bYf gngfYa XLU" H Y Vi]XYf bglU Yf
g'ci X jbgYfhXYUjg'cZAYUMi U ZYdUW'cdYb]b['ghYgzUMi U j YbhUjcb jbgU'YXUbXUbnj UfUjcbg'le h Y i g' U XLU"

cf	SAMPLE COSTING	7cgljbl fYZ	DUN-15-6M
GjYU		D'chibi a VYf	
GngfYa	Dunbrik 450mm id A1 concrete flue liners	<ci gY hndY	House with 450mm I.D. Flue.
8UY	12 Aug 2020	7i glca Yf fYZ	Chimney height 5980mm, Offset 290mm, 120mm.

Checklist for hearths, fireplaces, flues and chimneys

H jg WY W\jghWb\Yd nci le Ybgi fY\YUfhgzZfYdUWgzZi Yg UbXWja bYng UYfgUhgZUMi fmi-Znci \Uj Y VYb XfY WmYb] U j YX
Wd]Yg'g'ci XUgc VY'cZfYXle h Y WYbhUbXle h Y 6i]Xb[7cblic VcXrite g\ck k\Uhnai \Uj Y XcbYle Wa dmk h.
h Y fYei fYa Ybg'cZdUih>"-Znci UY Ugi V!WbhUMe fZUWdng'ci XWY'cZfYXle h Ya Ub WbhUMe f"

Items listed in ADJ Appendix A	Details for builder to complete or amend
---------------------------------------	---

1 6i]Xb[UXXYggzk\YfYkcf_\Ug VYb Wff]YXci h

		5a YbX
--	--	--------

2 ÆYb]Wjcb'cZ\YUfhgzZfYdUWzWja bYmcfZi Y"

Fireplace in lounge

3 : j]b[WdU]hng'cZ Y f Uge]e"

All

4 -bYbXXhndY'cZUdd]UbW" GUHY hndY'cfa U_Y"
-ZcdYb ZY] j Y Zbg\YXZfYdUW'cdYb]b[Xja Ybg'cbg"

**For gas fire or solid fuel fire
1,060,000 sq.mm maximum**

5 J Ybh]Ujcb dfej jgcbg'Zf h Y Udd]UbW
GUHY hndY'UbXUfYU'cZdYfa UbYbhndYb'Ufj Yb]g

**Through wall ventilation
80,000 sq mm minimum**

6 7\ja bYmcfZi Y Wbgfhi Wjcb
U GUHY h Y hndY'cfa U_Y UbXk\Yh Yf bYk 'cf Yl jg]b["
V. -bYf bU'Zi Y ghY fLbX'Yei j] UYbZi Y\Y] \lzk\YY
W W\UHXbUhi fU XU [\h] Ug Udd]UbW'g'cbnd'
W -Z]bYfg UYi gYXWbZfa h YndUY WffY Wm'c]b]X
j U W'fXUbW'k h 'a Ubi ZMf fYg jbgfhi Wjcbg'UbX
ghY'c'bh]b['a UYfUg'i gYX'
X. -ZUb Yl jg]b[Wja bYm\Ug VYb fYZ fVg\YXk h U
bYk 'j bYfZ hndY'cfa U_Y cZ]bYf ZHX'
Y. 8YUjg'cZi Yci hYhYfa j]U Ci hYhXYU] 450mm straight 900mm pot
7ca d]Yg'k h. **BSEN13502:2002**
Z. Bi a WfUbXUb] Y'cZVbXg' **4 bends ref 450B at 22.5 degrees**

[L Dfcj jgcb'Zf WUb]b[UbXfYWa a YbXXZ'Yei YbWf **Annually via fireplace opening**

7 <YUfA": cfa cZ Wbgfhi Wjcb" B Yk 'cf Yl jg]b[

**New
As diagram 25 in ADJ**

8 -bgdY Wjcb UbX hYg]b] UZYf Wa d'Y]cb
HYghf5ddYbXj 9' j b 58 > &SS&LubXfYg' ig
: i Y jbgdY Wjcb fYg' ig J jg U
Gk Y Yd]b]
7 cf]b[VU'
Ga c_Y
Gd]U Y
5dd]UbW'fk\YfY j]W XYX

I/We the undersigned confirm that the above details are correct. In my opinion, these works comply with the relevant requirements in Part J of Schedule 1 to the Building Regulations.

Df]bhba Y/ HfY	_____	DfcZyggjcb	_____
7UdU]m	_____	HY'bc	_____
5XXfYgg	_____	DcghWXY	_____
G] bYX	_____	8UY	_____
F Y jg]YXa Ya Wf g' d'cZ f m'] ; Ug GUZ hndC: H97z<9H5GzB579zB57GL			