

# Dunbrik flues

Sample 200mm I.D. flue liner system for stove appliance with offset.

Date: August 2020

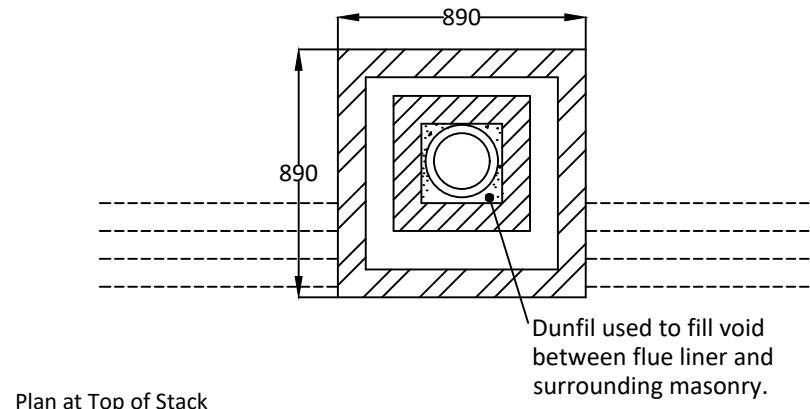
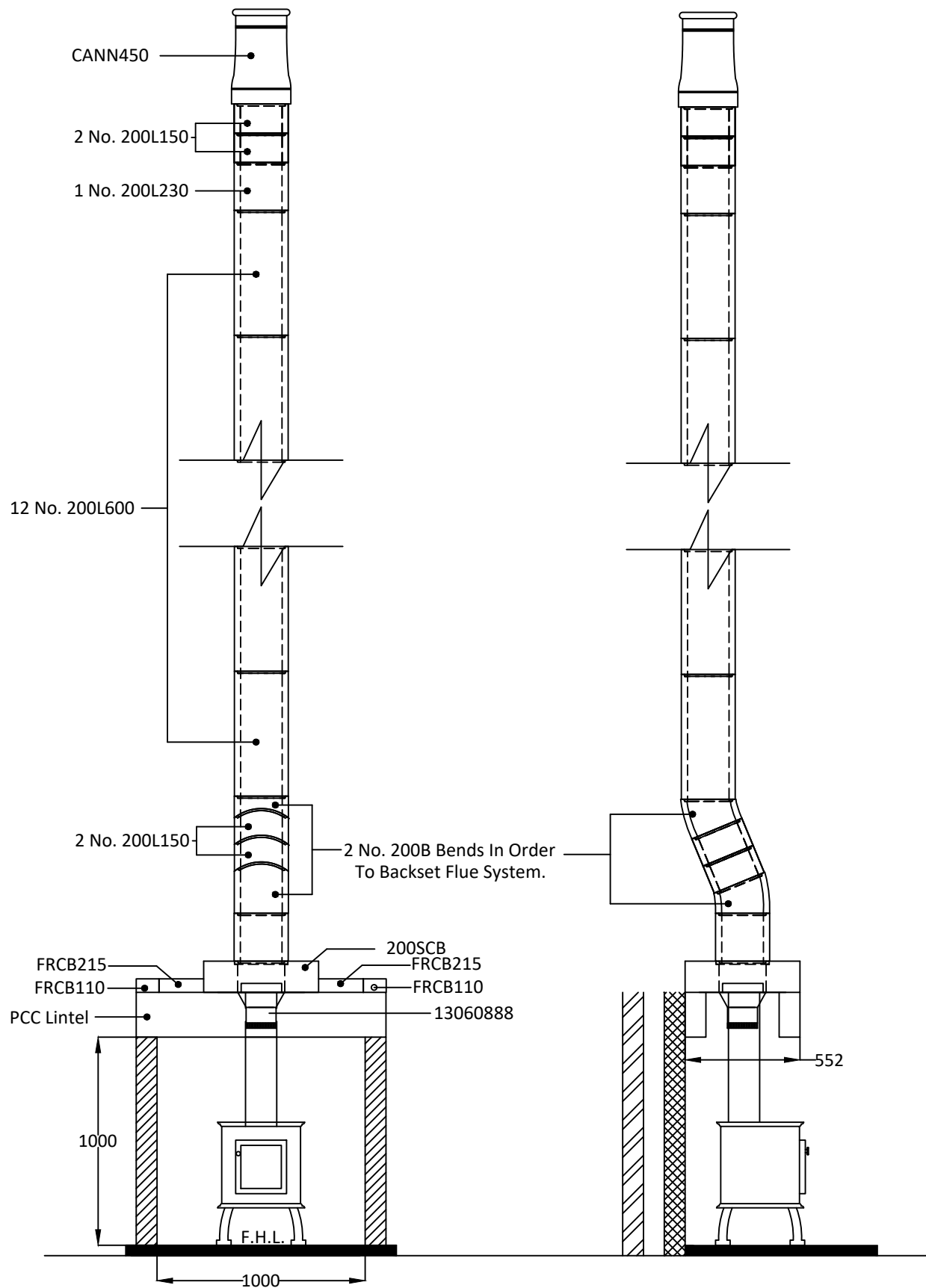
Telephone: 01924 373694 Email: tech@dunbrik.co.uk Web: www.dunbrik.co.uk

Ref: **DUN-18-7M**

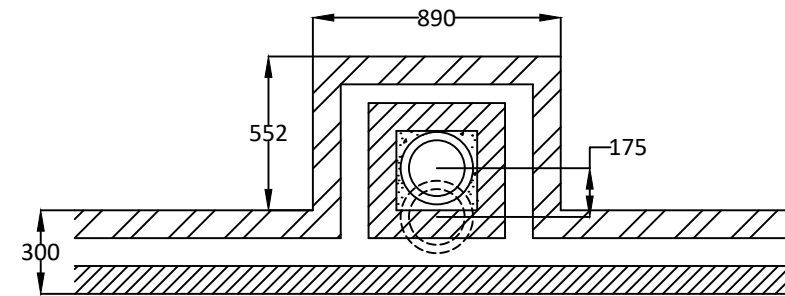
## Notes

Please note the fireplace recess closure blocks are a non-load bearing unit.

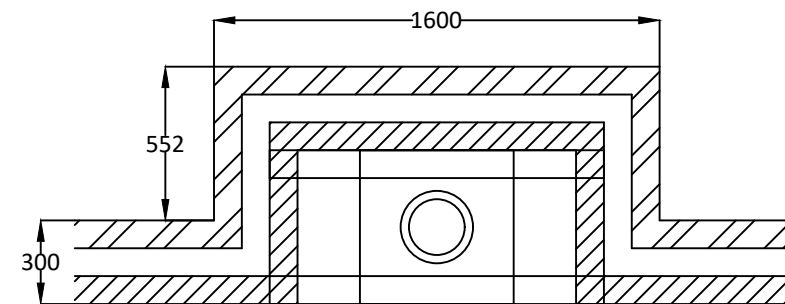
Chimney Height from FFL to underside of chimney pot.



Plan at Top of Stack



Plan at First Floor Level



Plan at Ground Floor Level

Dunbrik A1 Concrete Flue Liner System to BS EN 1857

Please have your architect check this estimate to your drawings to ensure it meets both your requirements and current building regulations, british standards and codes of practice.

**ALL DIMENSIONS ARE SHOWN IN MILLIMETRES NOT TO SCALE**

Costing for: **SAMPLE COSTING**  
House with 200mm I.D. Flue.  
Chimney height 9967mm, Offset 175mm.

Costing ref **DUN-18-10M**  
Date 10 August 2020  
By SJ  
Price list July 2019

Components	Product code	Qty	Prices each	Cost £
Support lintels supplied by others	n/a	2		
Fireplace recess closure block 215mm x 552mm x 65mm	FRCB215	2	10.82	21.64
Fireplace recess closure block 110mm x 552mm x 65mm	FRCB110	2	8.35	16.70
Stove connection block 552mm x 552mm x 150mm	200SCB	1	138.86	138.86
200mm flue liner 230mm tall	200L230	1	10.68	10.68
200mm flue liner bend 22.5 degrees	200B	1	17.42	17.42
200mm flue liner 150mm tall	200L150	2	8.43	16.86
200mm flue liner bend 22.5 degrees	200B	1	17.42	17.42
200mm flue liner 600mm tall	200L600	12	17.85	214.20
200mm flue liner 230mm tall	200L230	1	10.68	10.68
200mm flue liner 150mm tall	200L150	2	8.43	16.86
Flue liner sealant 310ml	Dunseal	7	6.36	44.52
Infill aggregate 22kg mix for void	Dunfil	33	13.26	437.58
Cannon pot 450mm tall red	Cann450R	1	48.48	48.48
Topguard birdguard cowl 260 tall red	TG260R	1	96.53	96.53
Smoke pellet tube	Smoke	1	10.80	10.80
Flue notice plate	Plate	1	7.36	7.36
Stove pipe adaptor for 200SCB (155mm to 200mm)	13060888	1	140.38	140.38
Red polypropylene air brick 220mm x 72mm	REDG930	2	0.88	1.76
High impact styrene black cavity sleeve 218mm x 72mm	CSG935	2	4.79	9.58

Cost ex-works *	<b>1278.31</b>
Delivery charge	<b>95.00</b>
Goods	<b>£ 1,373.31</b>
VAT @ 20%	<b>274.66</b>
<b>Total</b>	<b>£ 1,647.97</b>

For UK mainland up to 300 miles, orders over £1,700 goods value are delivered free  
Charge for individually plotting multiple flue orders is £30 per flue.  
\* For collection orders add collection charge of £15 plus VAT

Prices shown are based on the Dunbrik ex-works trade price list of July 2019 and are valid for 30 days.  
Prices are subject to VAT. All trading is subject to our standard conditions of sale (copy available).

**Notes**

This flue costing is based on information provided. Please have your architect check the costing to your drawings prior to ordering to ensure that it meets with your requirements. Please also check the pot/terminal style and colour.  
For construction guidance refer to the flue illustration and the installation guide available by post, fax or website.

Please ensure that the flue and chimney are constructed in accordance with Building regulations part J

