

Dunbrik flues

Sample 200mm I.D. flue liner system for stove appliance with offset.

Date: August 2020

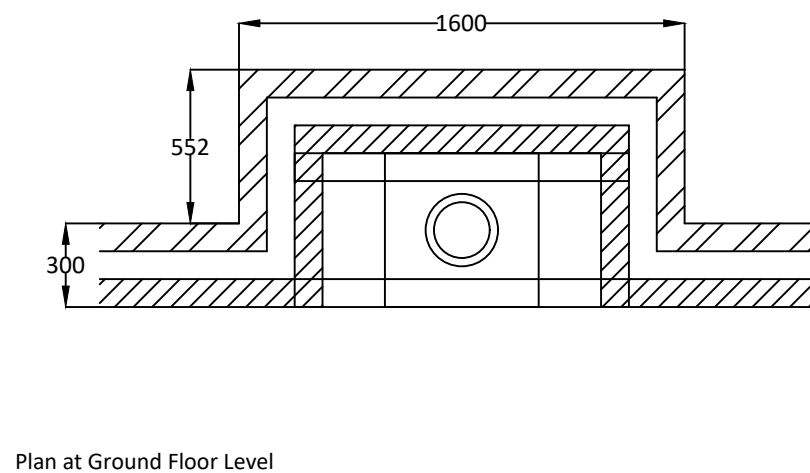
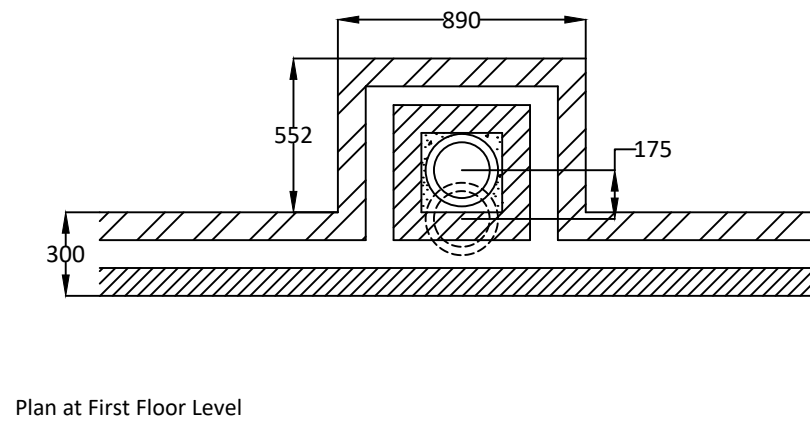
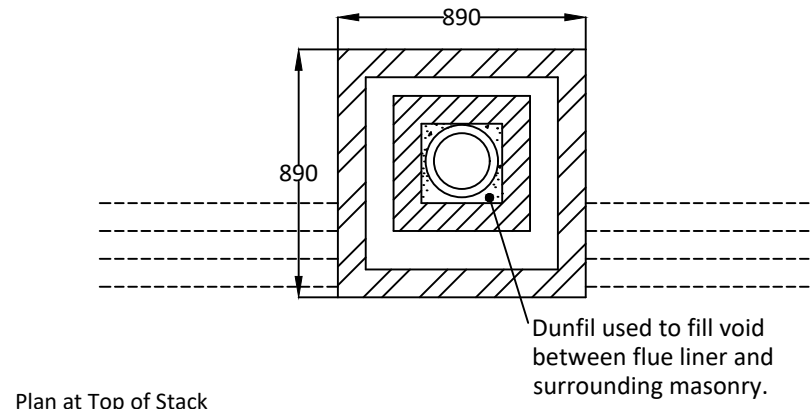
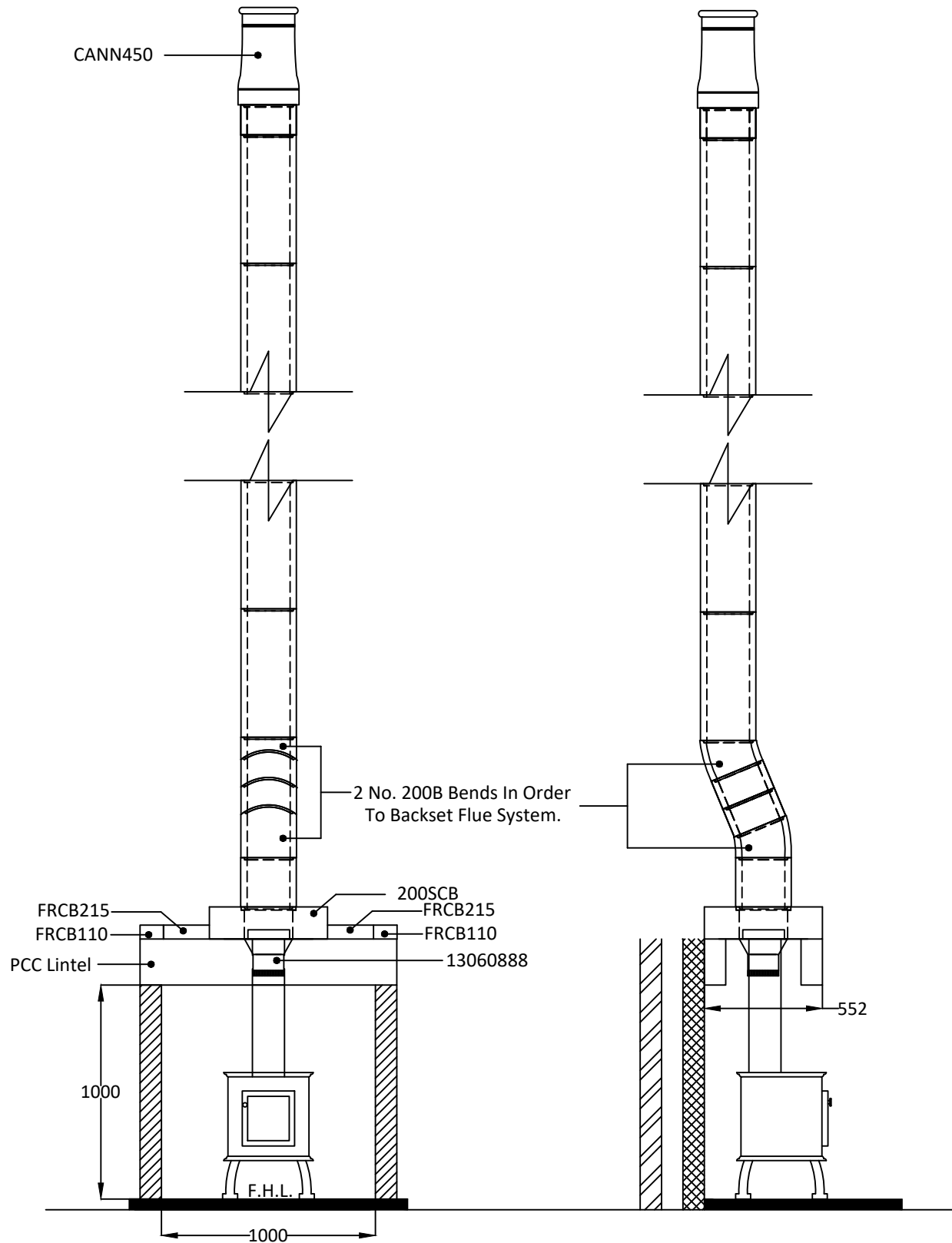
Ref: **DUN-18-6M**

Telephone: 01924 373694 Email: tech@dunbrik.co.uk Web: www.dunbrik.co.uk

Notes

Please note the fireplace recess closure blocks are a non-load bearing unit.

Chimney Height from FFL to underside of chimney pot.



Dunbrik A1 Concrete Flue Liner System to BS EN 1857

Please have your architect check this estimate to your drawings to ensure it meets both your requirements and current building regulations, british standards and codes of practice.

**ALL DIMENSIONS ARE SHOWN IN MILLIMETRES
NOT TO SCALE**

Costing for: **SAMPLE COSTING**
House with 200mm I.D. Flue.
Chimney height 5987mm, Offset 175mm.

Costing ref **DUN-18-6M**
Date 12 August 2020
By SJ
Price list July 2019

Components	Product code	Qty	Prices each	Cost £
Support lintels supplied by others	n/a	2		
Stove connection block 552mm x 552mm x 150mm	200SCB	1	138.86	138.86
200mm flue liner 230mm tall	200L230	1	10.68	10.68
200mm flue liner bend 22.5 degrees	200B	1	17.42	17.42
200mm flue liner 150mm tall	200L150	2	8.43	16.86
200mm flue liner bend 22.5 degrees	200B	1	17.42	17.42
200mm flue liner 600mm tall	200L600	6	17.85	107.10
200mm flue liner 150mm tall	200L150	1	8.43	8.43
Flue liner sealant 310ml	Dunseal	4	6.36	25.44
Infill aggregate 22kg mix for void	Dunfil	20	13.26	265.20
Cannon pot 450mm tall red	Cann450R	1	48.48	48.48
Topguard birdguard cowl 260 tall red	TG260R	1	96.53	96.53
Smoke pellet tube	Smoke	1	10.80	10.80
Flue notice plate	Plate	1	7.36	7.36

Cost ex-works *	770.58
Delivery charge	95.00
Goods	£ 865.58
VAT @ 20%	173.12
Total	£ 1,038.70

For UK mainland up to 300 miles, orders over £1,700 goods value are delivered free
Charge for individually plotting multiple flue orders is £30 per flue.
* For collection orders add collection charge of £15 plus VAT

Prices shown are based on the Dunbrik ex-works trade price list of July 2019 and are valid for 30 days.
Prices are subject to VAT. All trading is subject to our standard conditions of sale (copy available).

Notes

This flue costing is based on information provided. Please have your architect check the costing to your drawings prior to ordering to ensure that it meets with your requirements. Please also check the pot/terminal style and colour.
For construction guidance refer to the flue illustration and the installation guide available by post, fax or website.

Please ensure that the flue and chimney are constructed in accordance with Building regulations part J

The checklist is based on Building Regulations ADJ Appendix A. with Dunbrik flue liner system data. The builder/installer should insert details of the actual fireplace opening sizes, actual ventilation installed and any variations to the usual data.

For	SAMPLE COSTING	Costing ref	DUN-18-6M
Site at		Plot number	
System	Dunbrik 200mm id A1 concrete flue liners	House type	House with 200mm I.D. Flue.
Date	12 Aug 2020	Customer ref.	Chimney height 5987mm, Offset 175mm.

Checklist for hearths, fireplaces, flues and chimneys

This checklist can help you to ensure hearths, fireplaces, flues and chimneys are satisfactory. If you have been directly engaged, copies should also be offered to the client and to the Building Control body to show what you have done to comply with the requirements of part J. If you are a sub-contractor, a copy should be offered to the main contractor.

Items listed in ADJ Appendix A		Details for builder to complete or amend	
1 Building address, where work has been carried out			
		Amend	
2 Identification of hearth, fireplace, chimney or flue.		Fireplace in lounge	
3 Firing capability: solid fuel/gas/oil/all		All	
4 Intended type of appliance. State type or make. If open fire give finished fireplace opening dimensions.		For domestic fuel stove up to a 200mm external diameter flue outlet pipe	
5 Ventilation provisions for the appliance State type and area of permanently open air vents		Through wall ventilation As per stove manufacturers requirements	
6 Chimney or flue construction a) State the type or make and whether new or existing. b) Internal flue size (and equivalent flue height, where calculated natural draught gas appliances only). c) If liners are used confirm they are correctly jointed in accordance with manufacturers instructions and state jointing materials used. d) If an existing chimney has been refurbished with a new liner, type or make of liner fitted. e) Details of flue outlet terminal Outlet detail Complies with: f) Number and angle of bends. g) Provision for cleaning and recommended frequency.		New masonry chimney with: Dunbrik A1 concrete flue liners to BSEN1857 200mm internal diameter Tongue downwards into rebate and joined with Dunseal fireproof mortar Cannon pot 450mm tall BSEN13502:2002 2 bends ref 200B at 22.5 degrees Annually via stove	
7 Hearth. Form of construction. New or existing		New As diagram 25 in ADJ	
8 Inspection and testing after completion Test (Appendix E in AD J 2002) and results Flue inspection results Visual Sweeping Coring ball Smoke Appliance (where included) Spillage		Tests carried out by:	

I/We the undersigned confirm that the above details are correct. In my opinion, these works comply with the relevant requirements in Part J of Schedule 1 to the Building Regulations.

Print name & title	_____	Profession	_____
Capacity	_____	Tel no	_____
Address	_____	Postcode	_____
Signed	_____	Date	_____
Registered membership of (e.g. Gas Safety, OFTEC, HETAS, NACE, NACS)			