

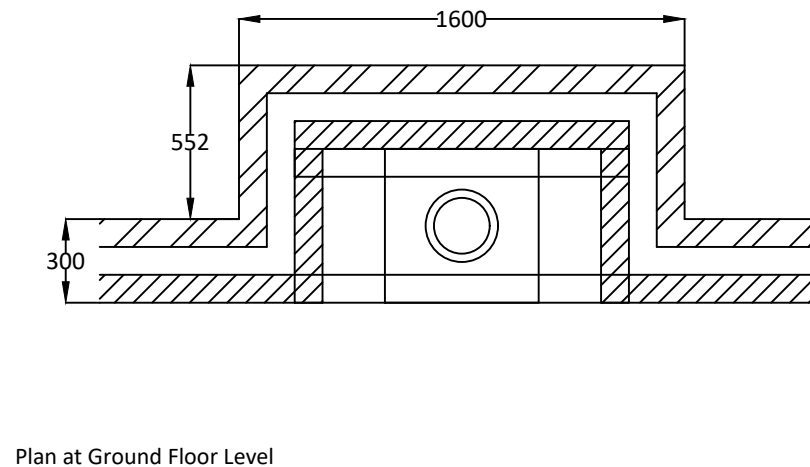
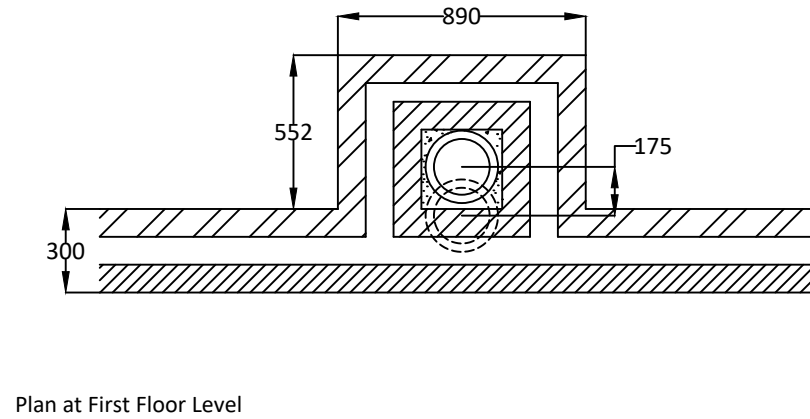
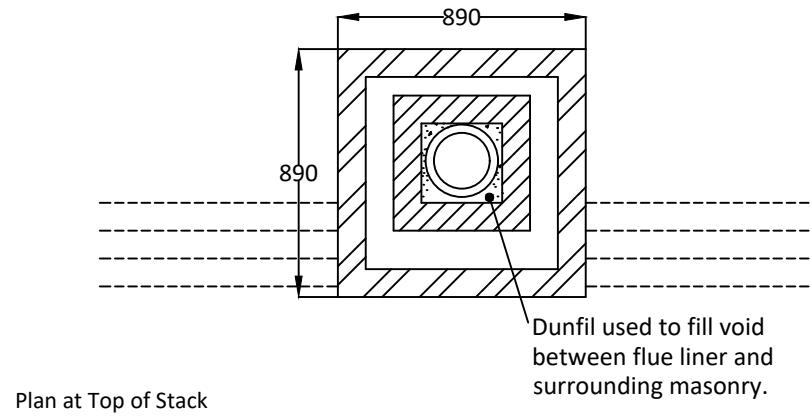
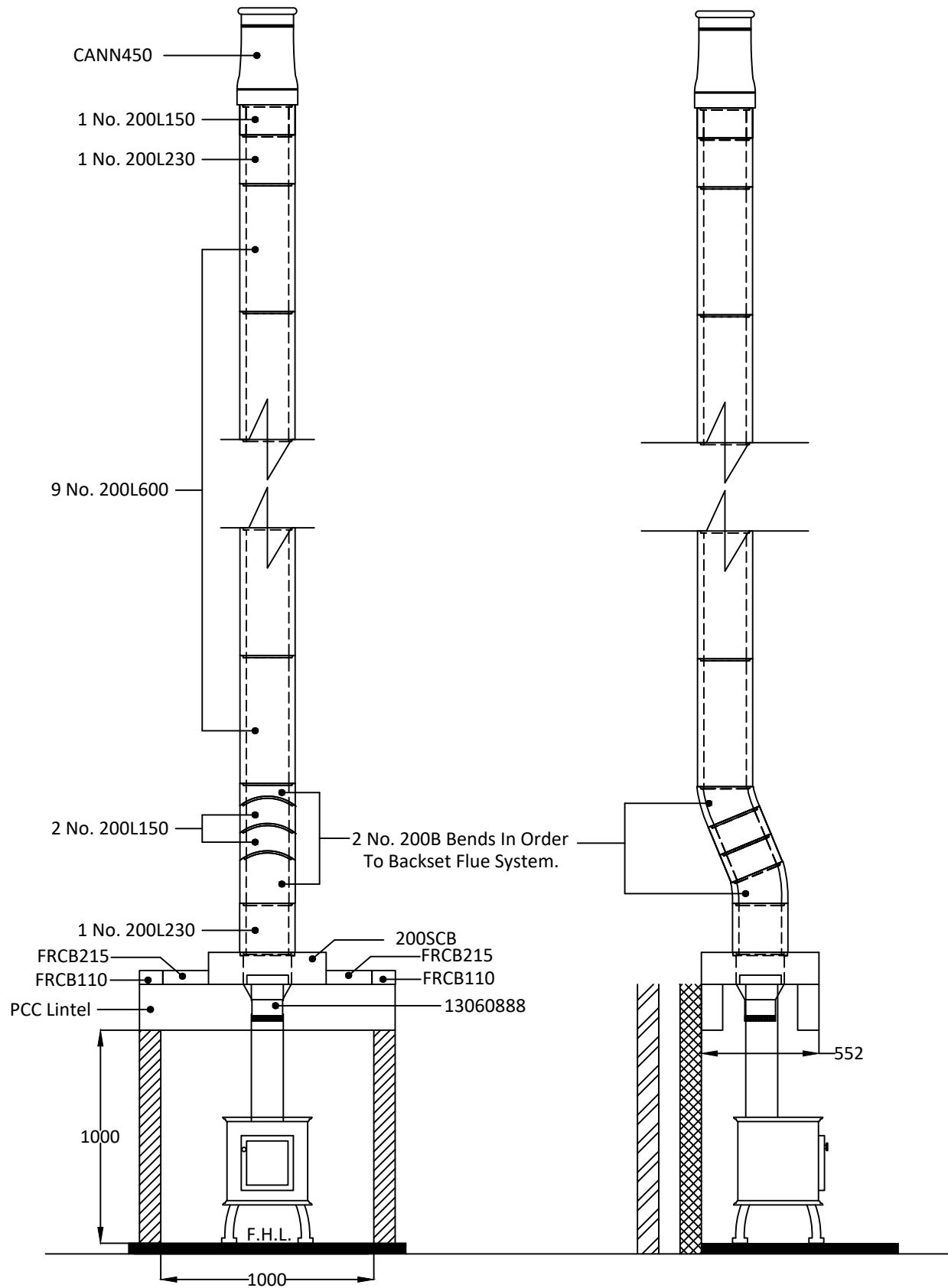
Dunbrik flues

Telephone: 01924 373694 Email: tech@dunbrik.co.uk Web: www.dunbrik.co.uk

Sample 200mm I.D. flue liner system for stove appliance with offset.

Date: August 2020

Ref: **DUN-18-8M**



Dunbrik A1 Concrete Flue Liner System to BS EN 1857

Notes

Please note the fireplace recess closure blocks are a non-load bearing unit.

Chimney Height from FFL to underside of chimney pot.

Please have your architect check this estimate to your drawings to ensure it meets both your requirements and current building regulations, british standards and codes of practice.

ALL DIMENSIONS ARE SHOWN IN MILLIMETRES NOT TO SCALE

SAMPLE COSTING

House with 200mm I.D. Flue.
Chimney height 8017mm, Offset 175mm.

Costing ref

DUN-18-8M

Date

07 August 2020

By

SJ

Price list

July 2019

Components	Product code	Qty	Prices each	Cost £
Support lintels supplied by others	n/a	2		
Fireplace recess closure block 110mm x 552mm x 65mm	FRCB110	2	8.35	16.70
Stove connection block	200SCB	1	138.86	138.86
200mm flue liner 230mm tall	200L230	1	10.68	10.68
200mm flue liner bend 22.5 degrees	200B	1	17.42	17.42
200mm flue liner 150mm tall	200L150	2	8.43	16.86
200mm flue liner bend 22.5 degrees	200B	1	17.42	17.42
200mm flue liner 600mm tall	200L600	9	17.85	160.65
200mm flue liner 230mm tall	200L230	1	10.68	10.68
200mm flue liner 150mm tall	200L150	1	8.43	8.43
Flue liner sealant 310ml	Dunseal	6	6.36	38.16
Infill aggregate 22kg mix for void	Dunfil	23	13.26	304.98
Cannon pot 450mm tall red	Cann450R	1	48.48	48.48
Topguard cowl 260 tall red	TG260R	1	96.53	96.53
Smoke pellet tube	Smoke	1	10.80	10.80
Flue notice plate	Plate	1	7.36	7.36
Stove pipe adaptor for 200SCB (155mm to 200mm)	13060888	1	140.38	140.38
Red polypropylene air brick 220mm x 72mm	REDG930	2	0.88	1.76
High impact styrene black cavity sleeve 218mm x 72mm	CSG935	2	4.79	9.58

Cost ex-works *

1055.73

For UK mainland up to 300 miles, orders over £1,700 goods value are delivered free

Delivery charge

95.00

Charge for individually plotting multiple flue orders is £30 per flue.

Goods

£ 1,150.73

* For collection orders add collection charge of £15 plus VAT

VAT @ 20%

230.15

Total

£ 1,380.88

Prices shown are based on the Dunbrik ex-works trade price list of July 2019 and are valid for 30 days.

Prices are subject to VAT. All trading is subject to our standard conditions of sale (copy available).

Notes

This flue costing is based on information provided. Please have your architect check the detail to your drawings prior to ordering, to ensure that it meets with your requirements. Please also check the pot/terminal style and colour.

For construction guidance refer to the flue illustration and the installation guide available by post, fax or website.

The infill is based on a void of 350mm x 350mm

Please ensure that the flue and chimney are constructed in accordance with Building regulations part J

H\Y\W\W\l\g\h\g\U\g\Y\X\c\6\i\]X\l\ F\Y\i\ U\h\c\bg\58>5ddYbX\l\ 5"k\h\8\i\ b\V\l\ Z\i\Y\]b\Y\g\ng\h\Y\ X\U\U\H\Y\V\i\]X\Y\#\b\g\U\Y\F\ 'g\c\i\ X\]b\g\Y\h\X\Y\U\]g\c\Z\h\Y\U\M\i\U\ Z\Y\Y\U\W\c\Y\b\]b\ 'g\h\Y\g\Z\U\M\i\U\j\ Y\h\]U\h\c\b\]b\g\U\Y\X\U\X\U\bn\j\ U\]U\h\c\bg\l\c\h\Y\i\g\i\U\X\U\U\

: cf G\]Y\U\h G\ng\h\Y\A 8U\Y	SAMPLE COSTING Dunbrik 200mm id A1 concrete flue liners	7c\g\h\]b\]Y\Z D\c\h\i\ a\ V\Y\F < c\i\ g\Y\h\nd\Y 7i\g\l\c\ a\ Y\F\Y\Z	DUN-18-8M House with 200mm I.D. Flue. Chimney height 8017mm, Offset 175mm.
--	--	---	---

Checklist for hearths, fireplaces, flues and chimneys

H\g\W\W\l\g\h\W\b\Y\d\nc\i\ l\c\ Y\bg\ f\Y\U\U\h\g\Z\Y\Y\U\W\g\Z\Z\i\ Y\g\U\X\W\]a\ b\Y\ng\U\Y\g\U\h\g\Z\U\M\i\U\c\Z\nc\i\ \U\j\ Y\V\Y\Y\b\X\]f\W\i\h\Y\b\] U\]Y\X\Z\ 'W\d\]Y\g\g\c\i\ X\U\g\c\ V\Y\c\Z\Z\Y\X\l\c\h\Y\W\Y\h\i\U\X\l\c\h\Y\6\i\]X\l\] 7\c\h\l\c\ V\c\X\nc\l\c\ g\c\k\k\U\h\nc\i\ \U\j\ Y\X\c\b\Y\l\c\ W\ a\ d\nc\l\h\ ' 'h\Y\Y\Y\c\i\]f\Y\ a\ Y\bg\c\Z\U\U\h\]Z\nc\i\ U\Y\U\g\i\ V\W\b\h\U\M\i\U\c\Z\U\W\d\nc\i\ X\W\c\Z\Z\Y\X\l\c\h\Y\ a\ U\]b\ W\b\h\U\M\i\U\c\Z\

Items listed in ADJ Appendix A	Details for builder to complete or amend
---------------------------------------	---

1	6i]X\l\] U\X\Y\g\g\Z\k\ \Y\Y\k\c\f\ \U\g\V\Y\Y\b\ W\]f\]Y\X\c\i\ h\i	
---	---	--

		5a YbX
--	--	--------

2	→X\Y\h\Z\W\]h\c\c\Z\A\U\U\h\z\Z\Y\U\W\Z\W\]a\ b\Y\nc\f\Z\i\ Y\	Fireplace in lounge
---	--	---------------------

3]f\]b\]W\U\]l\m\g\c\]X\Z\Y\#\U\g\#\]#U\	All
---	--	-----

4	h\Y\h\X\X\h\nd\Y\c\Z\U\U\]U\W\W\ G\H\Y\h\nd\Y\c\f\ a\ U\]Y\ 'Z\c\Y\b\ Z\Y\]]j\ Y\Z\]b\g\Y\X\Z\Y\U\W\c\Y\b\]b\]X\]a\ Y\bg\l\c\bg\	For domestic fuel stove up to a 200mm external diameter flue outlet pipe
---	---	--

5	J\Y\h\]U\h\c\b\ d\fc\]]g\l\c\bg\Z\f\h\Y\U\U\]U\W\W\ G\H\Y\h\nd\Y\U\X\U\Y\U\c\Z\U\Y\fa\ U\Y\h\h\nc\d\Y\b\ U\]f\]j\ Y\bg\	Through wall ventilation As per stove manufacturers requirements
---	--	--

6	7\]a\ b\Y\nc\f\Z\i\ Y\W\]b\g\h\i\ W\]c\b U\ G\H\Y\h\Y\h\nd\Y\c\f\ a\ U\]Y\U\X\k\ \Y\h\Y\f\b\Y\k\ 'c\f\Y\]g\]b\] " V\ h\Y\h\U\Z\i\ Y\g\h\Y\fl\X\Y\c\i\]j\ U\Y\h\Z\i\ Y\ \Y\] \h\k\ \Y\Y\ W\W\U\h\X\c\h\i\ f\U\X\U\] \h\] U\g\U\U\]U\W\g\c\h\nc\l\c\ " W\ Z\]b\Y\g\U\Y\i\ g\Y\X\W\b\Z\]f\ h\Y\m\U\Y\W\]f\Y\W\i\h\c\]b\h\X\]b\U\W\]f\X\U\W\k\]h\ 'a\ U\bi\ Z\U\M\i\ f\Y\g\]b\g\h\i\ W\]c\bg\U\X\ g\H\Y\c\]b\]b\] 'a\ U\Y\]U\g\i\ g\Y\X\ " X\ Z\U\]Y\]g\]b\] W\]a\ b\Y\m\U\g\V\Y\Y\b\ f\Y\Z\ f\]g\]Y\X\k\]h\ U\ b\Y\k\]b\Y\Z\h\nd\Y\c\f\ a\ U\]Y\c\Z\]b\Y\f\Z\]h\X\ " Y\ 8\Y\U\]g\c\Z\Z\i\ Y\c\i\ h\Y\h\Y\fa\]b\U\ C\i\ h\Y\h\X\Y\U\] 7\c\ a\ d\]Y\g\k\]h\ . Z\ B\i\ a\ V\Y\U\X\U\]Y\c\Z\V\Y\X\g\	New masonry chimney with: Dunbrik A1 concrete flue liners to BSEN1857 200mm internal diameter Tongue downwards into rebate and joined with Dunseal fireproof mortar Cannon pot 450mm tall BSEN13502:2002 2 bends ref 200B at 22.5 degrees	
---	--	---	--

7	< Y\U\h\ " : c\fa\ c\Z\W\]b\g\h\i\ W\]c\b\ B\Y\k\ 'c\f\Y\]g\]b\]	New As diagram 25 in ADJ
---	---	--------------------------

8	h\g\Y\W\]c\b\U\X\h\Y\g\]b\] U\Z\Y\W\ a\ d\Y\]c\b H\Y\g\h\f\5\dd\Y\h\X\l\ '9\]b\ 58 > &S\&L\U\X\]f\Y\g\i\]g : i\Y\]b\g\Y\W\]c\b\ f\Y\g\i\]g J\]g\i\ U G\k\Y\Y\]b\] 7\c\]f\]b\] \W\ G\ a\ c\]Y G\ d\] \U\]Y 5\dd\]U\W\]f\k\ \Y\Y\]b\W\ X\Y\X\	H\Y\g\]g\ W\]f\]Y\X\c\i\ h\i\V\nc\	
---	---	------------------------------------	--

I/We the undersigned confirm that the above details are correct. In my opinion, these works comply with the relevant requirements in Part J of Schedule 1 to the Building Regulations.

D\]f\]h\h\U\]a\ Y\ /]h\Y _____ D\fc\Z\]g\]c\b _____

7\U\U\]m _____ H\Y\bc _____

5\X\Y\g\g _____ D\c\g\h\W\X\Y _____

G\]]b\Y\X _____ 8\U\Y _____

F\Y\]g\]h\Y\X\ a\ Y\ a\ V\Y\g\ \d\c\Z\]f\] " : U\g\G\U\]h\Z\c\ : H\9\Z\< 9\H\5\G\Z\B\5\7\9\Z\B\5\7\G\L