

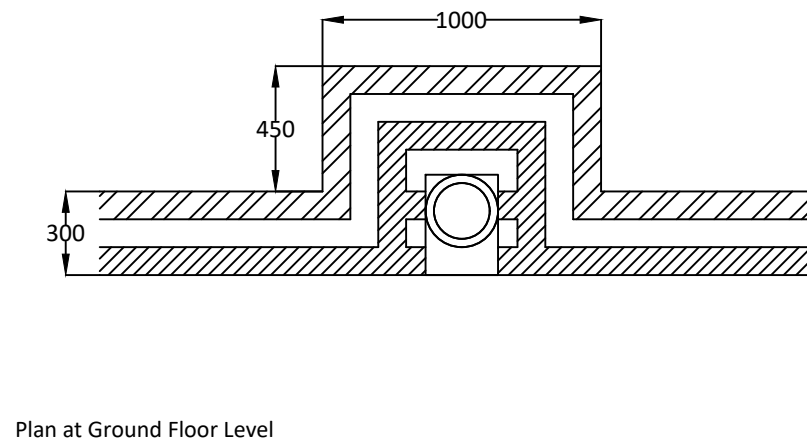
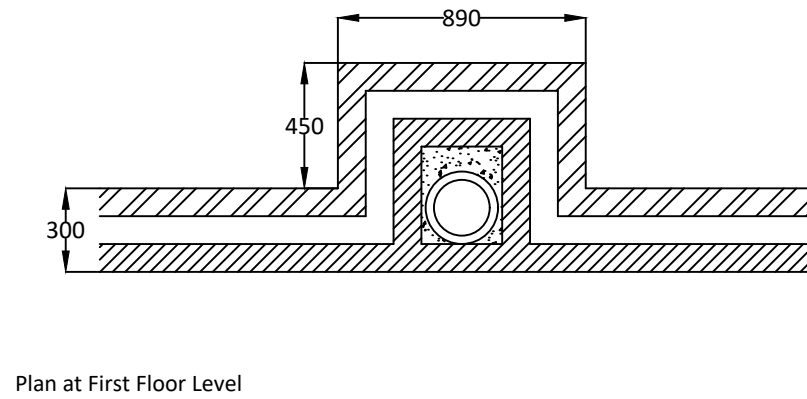
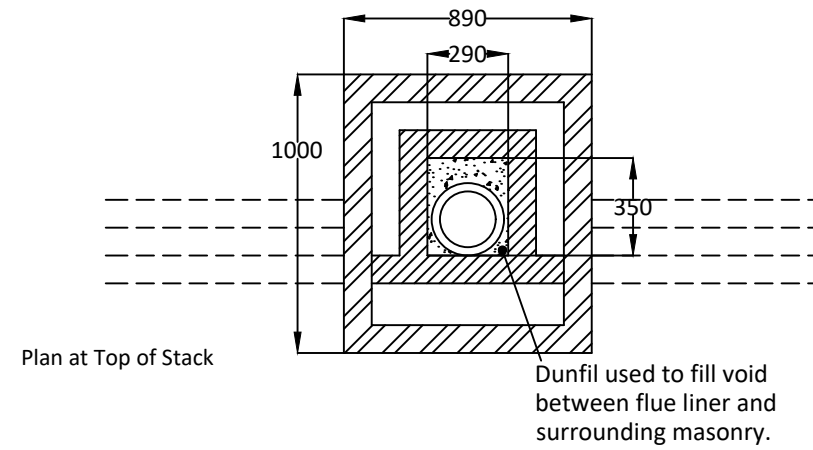
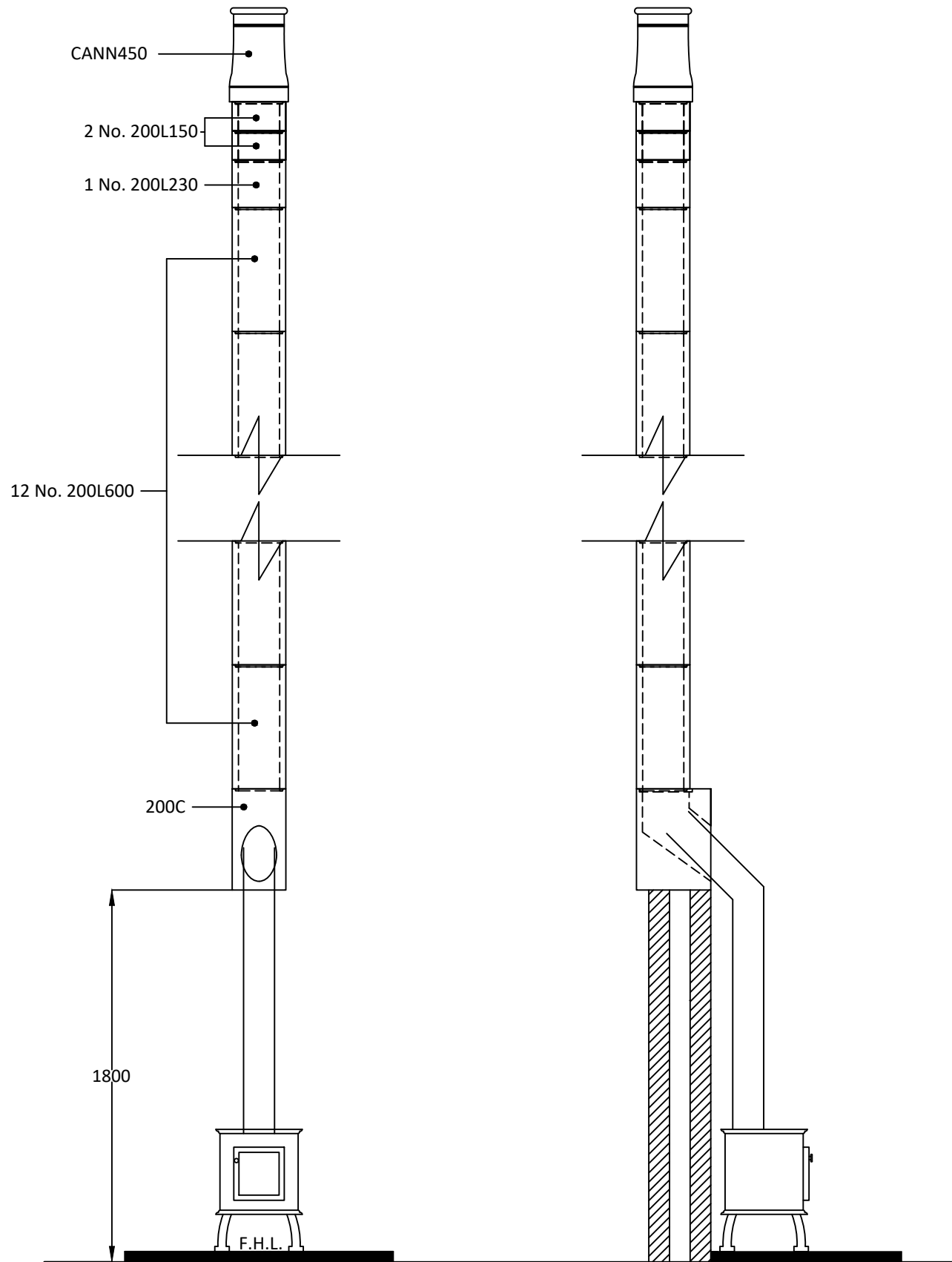
Dunbrik flues

Sample 200mm I.D. straight flue liner system for free standing stove appliance.

Date: August 2020

Telephone: 01924 373694 Email: tech@dunbrik.co.uk Web: www.dunbrik.co.uk

Ref: **DUN-19-10M**



Notes

Chimney Height from FFL to underside of chimney pot.

Dunbrik A1 Concrete Flue Liner System to BS EN 1857

ALL DIMENSIONS ARE SHOWN IN MILLIMETRES
NOT TO SCALE

Costing for: **SAMPLE COSTING**
House with 200mm I.D. Flue.
Chimney height 10020mm.

Costing ref **DUN-19-10M**
Date 10 August 2020
By SJ
Price list July 2019

Components	Product code	Qty	Prices each	Cost £
Boiler/stove connection block at 45deg	200C	1	141.70	141.70
200mm flue liner 600mm tall	200L600	12	17.85	214.20
200mm flue liner 230mm tall	200L230	1	10.68	10.68
200mm flue liner 150mm tall	200L150	2	8.43	16.86
Flue liner sealant 310ml	Dunseal	5	6.36	31.80
Infill aggregate 22kg mix for void	Dunfil	19	13.26	251.94
Cannon pot 450mm tall red	Cann450R	1	48.48	48.48
Topguard birdguard cowl 260 tall red	TG260R	1	96.53	96.53
Smoke pellet tube	Smoke	1	10.80	10.80
Flue notice plate	Plate	1	7.36	7.36
Red polypropylene air brick 220mm x 72mm	REDG930	2	0.88	1.76
High impact styrene black cavity sleeve 218mm x 72mm	CSG935	2	4.79	9.58

Cost ex-works *	841.69
Delivery charge	95.00
Goods	£ 936.69
VAT @ 20%	187.34
Total	£ 1,124.03

For UK mainland up to 300 miles, orders over £1,700 goods value are delivered free

Charge for individually plotting multiple flue orders is £30 per flue.

* For collection orders add collection charge of £15 plus VAT

Prices shown are based on the Dunbrik ex-works trade price list of July 2019 and are valid for 30 days.

Prices are subject to VAT. All trading is subject to our standard conditions of sale (copy available).

Notes

This flue costing is based on information provided. Please have your architect check the costing to your drawings prior to ordering to ensure that it meets with your requirements. Please also check the pot/terminal style and colour.

For construction guidance refer to the flue illustration and the installation guide available by post, fax or website.

Please ensure that the flue and chimney are constructed in accordance with Building regulations part J

H\Y'WYW\lghlg'VUgYXcb'6i]Xlb['FYI i 'Ukcbg'58>'5ddYbXl' '5" 'k]h'8i bVf'_Zi Y'bYf'gnghYa 'XUu'H'Y'Vi]Xf'#bg'U'Yf 'g'ci X']bgYfhXHYU]g'cZ'h'Y'UMi U'Z'f'Yd'U'W'cdYb]b['g'inYgz'UMi U'j Ybh]U'jcb]bg'U'YX'U'b'X'U'bnj U]U'jcbg'te'h'Y'i gi U'XUu'

: cf	SAMPLE COSTING	7cgh]b['fYz	DUN-19-10M
'G]YU		D'chibi a VYf	
'Gng]Ya	Dunbrik 200mm id A1 concrete flue liners	<ci gY'ndY	House with 200mm I.D. Flue.
'8UY	13 Aug 2020	7i g]ca Yf'fYZ	Chimney height 10020mm.

Checklist for hearths, fireplaces, flues and chimneys

H\lg'WYW\lgh]Wb\Y'd'nai 'te'Ybgi fY\YUfh'gZ'fYd'UWgz'Zi Yg'UbXW]a bYng'UY'gUhg'Z'Mie'fir'Z'nai \Uj Y'VYb X]f'WimYb[U] YXZ 'Wd]Yg'g'ci X'Ugc VY'cZZ'fYX'ie'h'Y'W]Ybh'Ub'X'ie'h'Y'6i]Xlb['7cb]fc'Ve'Xrite'g'ck 'k\Uhinai \Uj Y'XcbY'te'W'a d'nrik]h' 'h'Y'f'Yei]fYa Yb]g'cZd'Ufh'>'Z'nai U'Y'U'gi V'W'bh'UMie'f'z'U'W'dnig'ci X'VY'cZZ'fYX'ie'h'Y'a U]b'W'bh'UMie'f'

Items listed in ADJ Appendix A	Details for builder to complete or amend
---------------------------------------	---

1	6i]Xlb['UXXYggzk\YFY'k'cf_\Ug'VYYb'Wff]YX'ci h		
2	æYbh]Z]W]h'cb'c'Z\YUfh'z'f'Yd'UW'z'W]a bYn'ic'f'Zi Y'	Fireplace in lounge	
3	:]f]b['Wd'U]']h'ng'c'XZ'Y'f'U'g' #]'#'	All	
4	æh'Yb'XYX'nd'Y'c'Z'Udd']Ub'W''G]H'Y'nd'Y'c'f'a U_Y' Z'cd'Yb'Z'f'Y']j Y'Z]bg\YX'Z'f'Yd'U'W'cdYb]b['X'a Yb]g'cbg''	For domestic fuel stove up to a 200mm external diameter flue outlet pipe	
5	J Ybh]U'jcb' dfcj]g]cbg'Z'f'h'Y'Udd']Ub'W' G]H'Y'nd'Y'Ub'X'UY'U'c'Z'dYfa U'Y'bh'ic'dYb'U]f'j Y]bg'	Through wall ventilation As per stove manufacturers requirements	
6	7 \a bYn'ic'f'Zi Y'W'bg]h' W]cb U' G]H'Y'nd'Y'nd'Y'c'f'a U_Y'U'b'X'k\Y'h'Y'f'bYk'cf'Y']g]b[" V\ æh'Yb'U'Zi Y'g]h'Y'f'Ub'X'Yei]j U'Y'bh'Zi Y'Y'] \æ'k\Y'fY W'W'U'HX'b'U'h'f'U'X'U' [\h] U'g'Udd']Ub'W'g'c'b'ni' W\ Z']b'Y'f'g'UY'i gYX'W'b'Z'f'a 'h'Y'm'U'Y'W'ff'Y'W'iri'c']b]Y'X']b'U'W'f'X'U'b'W'k]h' 'a' U'bi Z'Mi'f'Y'f'g']bg]h' W]cbg'Ub'X' g]U'Y'c']b]b['a' U'Y'f'U'g'i gYX' X\ Z'Ub'Y']g]b['W]a bYn'a U'g'V'Y'Y'b'f'Y'Z'f'V'g\Y'X'k]h' U bYk']b]Y'Z'nd'Y'c'f'a U_Y'c'Z']b]Y'Z'f'Y'X' Y\ 8YU]g'c'Z'Zi Y'ci h'Y'h'f'Ya]bU Ci h'Y'h'XYH]' 7ca d']Y'g'k]h. Z\ Bi a VY'f'U'X'U]b['Y'c'Z'V'Y'b'X'g'	New masonry chimney with: Dunbrik A1 concrete flue liners to BSEN1857 200mm internal diameter Tongue downwards into rebate and joined with Dunseal fireproof mortar Cannon pot 450mm tall BSEN13502:2002	
	[L Dfc]g]cb Z'f'W]U]b['U'X'f'Y'W'a a Y'bh'XYX'Z'Yei Y'b'W'h	Annually via stove	
7	<YU'h': 'cfa 'c'Z'W'bg]h' W]cb''B'Y'k'cf'Y']g]b[New As diagram 25 in ADJ	
8	æbgd'Y'W]cb'U'X']g]b['U'Z'Y'f'W'a d'Y']cb H'Y'g]h'f'f'dd'Y'b'X]l' '9']b'58 '>'&SS&L'U'b'X'f'Y'g'i]g : 'i Y']bgd'Y'W]cb'f'Y'g'i]g J]gi U Gk'Y'Y'd]b[7'cf]b['VU' Ga' c_Y 5dd']Ub'W'f'k\Y'fY']b'W' X'Y'X' Gd]'U]Y	H'Y'g]g'W'ff]YX'ci h'V'ir	

I/We the undersigned confirm that the above details are correct. In my opinion, these works comply with the relevant requirements in Part J of Schedule 1 to the Building Regulations.

Df]bh]b'Ua Y/]h'Y	Dfc'Z'gg]cb
7'Ud'U]f'm	H'Y'bc
5'XX'f'Y'gg	Dcg'W'XY
G]]b'Y'X	8'UY

F'Y]g]h'Y'Y'X'a Y'a V'f'g']d'c'Z'f'f'["; U'g'G'U'Z']h'Z'c: H97z<9H5GzB579zB57GL